

Parts Manual

Cummins **Onan**

Performance you rely on.™



Engine

E125H (Spec A-D)

E140H (Spec A-D)

OL13 (Spec A-D)

ZX390 (Spec A-D)

MODEL IDENTIFICATION

To avoid errors or delay in filling your parts order, always give the MODEL, SPEC NO. and SERIAL NO. from the Onan nameplate.

For handy reference, insert your nameplate information in the spaces below.

MODEL AND SPEC NO.

SERIAL NO.

DIGITAL CONTROL SOFTWARE VERSION
AND DATE (IF APPLICABLE)

SAFETY PRECAUTIONS

The following symbols are used in Onan manuals to alert users to the potentially dangerous conditions relating to maintenance of equipment and replacement of parts. Please read and observe.



This symbol warns of immediate hazards which will result in severe personal injury or death.



This symbol refers to a hazard or unsafe practice which can result in severe personal injury or death.



This symbol refers to a hazard or unsafe practice which can result in severe personal injury or product or property damage.

PRODUCT SAFETY PRECAUTIONS



Service and repair of Onan equipment must be performed by trained, experienced personnel only. Improper service or repair may result in property damage, severe personal injury or death. Do not use this catalog as a guide to servicing your equipment. Read and follow the IMPORTANT SAFETY INSTRUCTIONS in the Service Manual appropriate for the equipment you are working on.



Contact with USED ENGINE OILS has been identified by a United States federal agency and some USA state agencies as causing CANCER or REPRODUCTIVE TOXICITY. When checking or changing engine oils take all necessary precautions not to ingest, breathe the fumes or contact the used oil.



Contact with ASBESTOS has been identified by a United States federal agency and some USA state agencies as causing CANCER or REPRODUCTIVE TOXICITY. When handling engine gaskets take all necessary precautions not to ingest, breathe or contact the dust from the gaskets! Use adequate ventilation and wear protective gloves, masks and clothing!



Contact with BENZINE and LEAD, found in gasoline, fuel additives and solvents has been identified by a United States federal agency and some USA state agencies as causing CANCER or REPRODUCTIVE TOXICITY. When checking, draining or adding gasoline and fuel additives or using solvents take all necessary precautions not to ingest, breathe the fumes or contact the liquids. Use adequate ventilation and wear protective gloves, masks and protective clothing!



Servicing and replacement of MARINE CRITICAL PARTS must be carried out by persons trained and experienced with marine gasoline engine-generator safety requirements!

MODEL IDENTIFICATION

To avoid errors or delay in filling your parts order, always give the MODEL, SPEC NO. and SERIAL NO. from the Onan nameplate.

For handy reference, insert your nameplate information in the spaces below.

MODEL AND SPEC NO.

SERIAL NO.

DIGITAL CONTROL SOFTWARE VERSION
AND DATE (IF APPLICABLE)

SAFETY PRECAUTIONS

The following symbols are used in Onan manuals to alert users to the potentially dangerous conditions relating to maintenance of equipment and replacement of parts. Please read and observe.

▲ DANGER

This symbol warns of immediate hazards which will result in severe personal injury or death.

▲ WARNING

This symbol refers to a hazard or unsafe practice which can result in severe personal injury or death.

▲ CAUTION

This symbol refers to a hazard or unsafe practice which can result in severe personal injury or product or property damage.

PRODUCT SAFETY PRECAUTIONS

▲ WARNING

Service and repair of Onan equipment must be performed by trained, experienced personnel only. Improper service or repair may result in property damage, severe personal injury or death. Do not use this catalog as a guide to servicing your equipment. Read and follow the IMPORTANT SAFETY INSTRUCTIONS in the Service Manual appropriate for the equipment you are working on.

▲ WARNING

Contact with USED ENGINE OILS has been identified by a United States federal agency and some USA state agencies as causing CANCER or REPRODUCTIVE TOXICITY. When checking or changing engine oils take all necessary precautions not to ingest, breathe the fumes or contact the used oil.

▲ WARNING

Contact with ASBESTOS has been identified by a United States federal agency and some USA state agencies as causing CANCER or REPRODUCTIVE TOXICITY. When handling engine gaskets take all necessary precautions not to ingest, breathe or contact the dust from the gaskets! Use adequate ventilation and wear protective gloves, masks and clothing!

▲ WARNING

Contact with BENZINE and LEAD, found in gasoline, fuel additives and solvents has been identified by a United States federal agency and some USA state agencies as causing CANCER or REPRODUCTIVE TOXICITY. When checking, draining or adding gasoline and fuel additives or using solvents take all necessary precautions not to ingest, breathe the fumes or contact the liquids. Use adequate ventilation and wear protective gloves, masks and protective clothing!

Introduction

This parts manual applies to the standard Elite horizontal engine as listed in the Engine Data Table. Parts are arranged in groups of related items and each illustrated part is identified by a reference number corresponding to the same reference number in the parts list. Parts illustrations are typical. Throughout this manual, left and right sides are determined by facing the oil cooler (front) end of the engine.

Using the MODEL and SPECIFICATION NUMBER from the nameplate, consult the SALES OPTION CODE TABLE in the back of the book to identify factory installed parts that are unique to your engine (*Note: The diagonal line (/) in the model and specification number separates engine characteristics from the specification number/letter. The specification number denotes customer requested features. The specification letter advances [A to B, B to C, etc] with major manufacturing changes.)

Engine Data Table

<u>Model/Spec No.</u>	<u>Rating</u>
E125H-N/*	12.5 Horsepower
E140H-N/*	14.0 Horsepower
OL13	12.5/14 Horsepower
ZX390	12.5/14 Horsepower



Index

- Adapter, Oil Filter, **13**
- Arm Assy, Rocker, **12**
- Armature, Starter, **20**

- Ball, Steel, **13**
- Bearing, Balancer Shaft, **5**
- Bearing, Camshaft, **5**
- Bearing, Crankshaft (Block End), **5**
- Bearing, Crankshaft (Gearcase End), **13**
- Bearing, Starter Oilless, **20**
- Block, Cylinder, **5**
- Bracket, Fuel Tank, **25**
- Bracket, Lift, **23**
- Bracket, Muffler Mounting, **24**
- Bracket, Throttle Lever, **14, 16**
- Bracket, Throttle Stop, **16**
- Breather, **12**

- Camgear, **7**
- Camshaft, **7**
- Cap, Fuel, **25**
- Cap, Oil Level Indicator, **23**
- Carburetor, **18**
- Case, Recoil, **21**
- Case, Recoil Spring, **21**
- Circlip, Governor, **14, 16**
- Clamp, Cable, **16**
- Clamp, Hose, **19, 25**
- Clip, Governor Lever Link, **14, 16**
- Clip, Retainer, **12**
- Clip, Wire, **25**
- Clutch, Starter, **20**
- Coil, Ignition, **5**
- Components, Starter, **20**
- Connector, Breather Tube, **12**
- Cover, Air Cleaner, **18**
- Cover, Air Filter, **18**
- Cover, Oil Pump, **13**
- Cover, Starter Hole, **5**
- Cover, Valve, **12**
- Crankshaft, **6**

- Dog, Recoil, **21**
- Duct, Air Inlet, **18**

- Elbow, Fuel, **25**
- Elbow, Hose, **13**
- Elbow, Intake, **18**

- Fastener, Air Cleaner Cover, **18**
- Fastener, Receptacle, **18**
- Filter, Air, **18**
- Filter, Fuel, **19**
- Filter, Oil, **13**
- Flyweight, **7**
- Frame, Starter, **20**
- Frame, Starter End, **20**
- Fuse, 20A, **26**

- Gasket, Air Cleaner, **18**
- Gasket, Cylinder Head, **12**
- Gasket, Exhaust Manifold, **24**
- Gasket, Gearcase, **13**
- Gasket, Insulator, **18**
- Gasket, Intake, **18**
- Gasket, Valve Cover, **12**
- Gear, Balancer, **6**
- Gear, Crankshaft, **6**
- Gear, Governor, **13**
- Gear, Ring, **10**
- Gearcase, **13**
- Governor (Code 13BJ, 13BK), **16**
- Governor (Code 13DF), **14**
- Grommet, Breather Tube, **18**
- Grommet, Fuel Elbow, **25**
- Guard, Stationary, **22**
- Guide, Valve, **12**

- Handle Assy, Recoil, **21**
- Harness, Engine, **22**
- Harness, Start/Stop Switch, **26**
- Head, Cylinder, **12**
- Holder, Brush, **20**
- Holder, Fuse, **26**
- Hose, Drain, **20**
- Hose, Fuel, **19, 25**
- Housing, Air Cylinder, **23**
- Housing, Blower, **22**
- Housing, Starter, **20**

- Indicator, Oil Level, **23**
- Insulator, Carburetor, **18**
- Insulator, Starter, **20**

- Key, Blower Wheel, **10**
- Key, Crankshaft, **6**
- Key, Crankshaft Gear, **6**
- Kit Jet, Altitude, **18**
- Kit Repair, Carburetor, **18**
- Kit, Gasket, **27**

- Labels, **27**
- Lever, Choke, **14, 16**
- Lever, Control, **14, 16**
- Lever, Governor, **14, 16**
- Lever, Pivot, **14**
- Lever, Starter Drive, **20**
- Link, Throttle, **14, 16**
- Lock, Valve, **12**

- Muffler, **24**

- O'Ring, Oil Fill, **23**
- O'Ring, Oil Pump, **13**

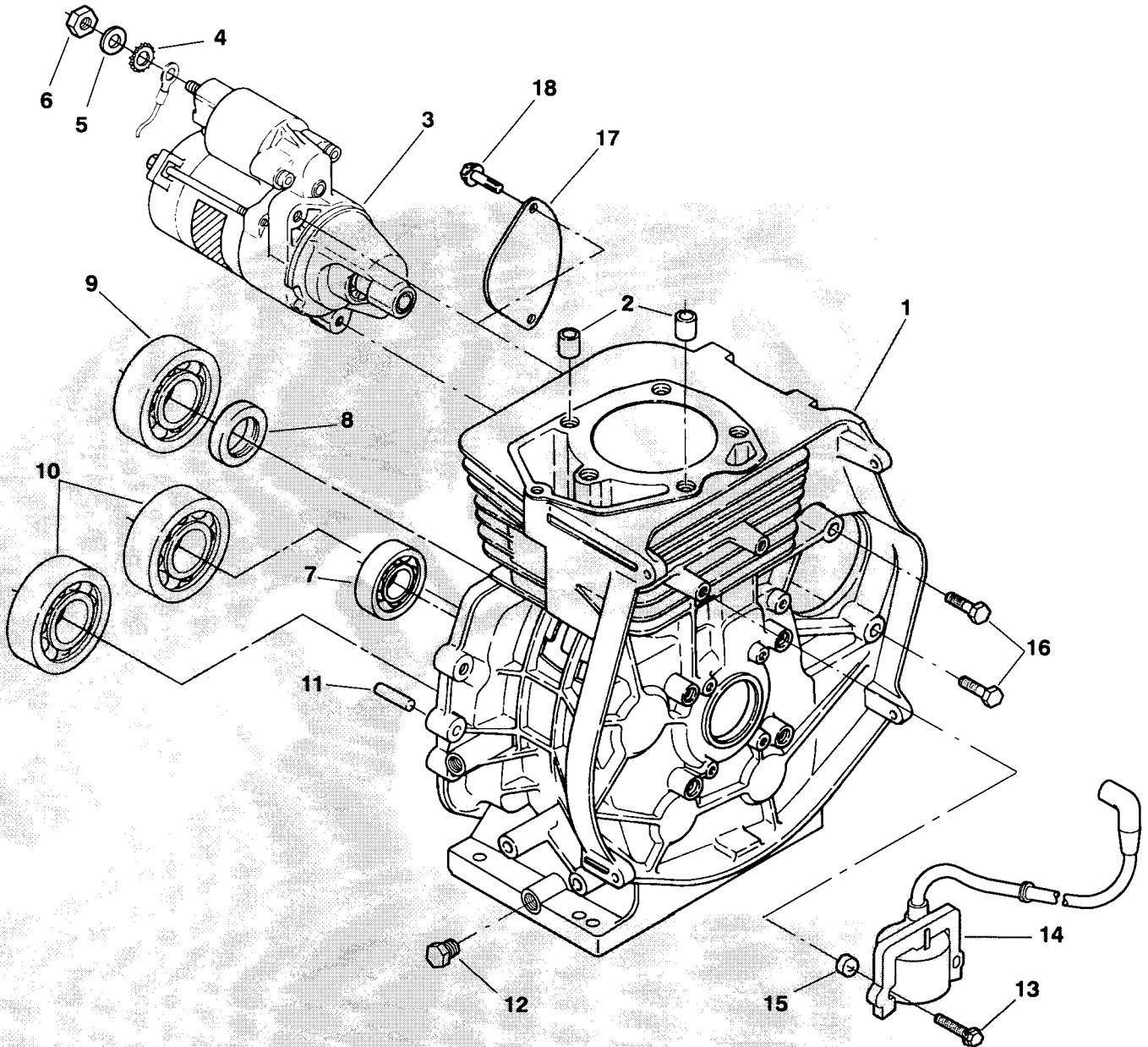
- Pan Assy, Air Cleaner, **18**

Index

- Pin, Alternator Alignment, **10**
Pin, Cylinder Block Alignment, **5**
Pin, Cylinder Block Dowel, **5**
Pin, Cylinder Head Dowel, **12**
Pin, Decompression, **7**
Pin, Flyweight, **7**
Pin, Piston, **8**
Piston, **8**
Pivot, **14**
Pivot, Lever, **16**
Plug, Crankshaft Expansion, **6**
Plug, Oil Drain, **5**
Plug, Spark, **12**
Pulley, Crank, **21**
Pump, Fuel, **19**
Pump, Oil, **13**
- Reel, Recoil, **21**
Regulator, Voltage, **22**
Retainer, Air Cleaner Latch, **18**
Retainer, Governor Gear, **13**
Retainer, Recoil, **21**
Retainer, Valve Spring, **12**
Ring Set, Piston, **8**
Ring, Gearcase Retaining, **13**
Ring, Piston Retaining, **8**
Ring, Starter Snap, **20**
Ring, Valve Guide, **12**
Rod, Connecting, **8**
Rod, Push, **12**
- Screen, Blower Wheel Chaff, **10**
Screen, Oil Pickup, **13**
Seal, Air Cleaner Spacer, **18**
Seal, Crankshaft Oil, **5, 13**
Seal, Governor Shaft Lever, **14, 16**
Seal, Valve Stem, **12**
Shaft, Balancer, **6**
Shaft, Flyweight, **7**
Shaft, Governor, **13**
Shaft, Governor Lever, **14, 16**
Shaft, Rocker Arm, **12**
Shield, Exhaust Valve, **12**
Shim, Balancer Shaft, **6**
Shim, Camshaft, **7**
Shim, Crankshaft, **6**
Sleeve, Governor, **13**
Spacer, Crankshaft, **6**
Spacer, Ignition Coil, **5**
Spring, Adjust Screw, **14**
Spring, Air Cleaner Latch, **18**
Spring, Brush, **20**
Spring, Decompression, **7**
Spring, Governor, **14, 16**
Spring, Recoil Brake, **21**
Spring, Recoil Dog, **21**
Spring, Recoil Spiral, **21**
Spring, Relief Valve, **13**
Spring, Valve, **12**
Starter, **5**
Starter, Recoil, **21**
Stator, **10**
Support, Carburetor, **18**
Switch, Magnetic, **20**
Switch, Oil Pressure, **13**
Switch, Start/Stop, **22**
- Tank, Fuel, **25**
Tappet, **12**
Tube, Breather, **18**
Tube, Exhaust Manifold, **24**
Tube, Oil Fill, **23**
Tube, Oil Pickup, **13**
- Valve, Fuel, **19**
Valves, **12**
- Wheel, Blower, **10**
Wrapper, Air Filter, **18**

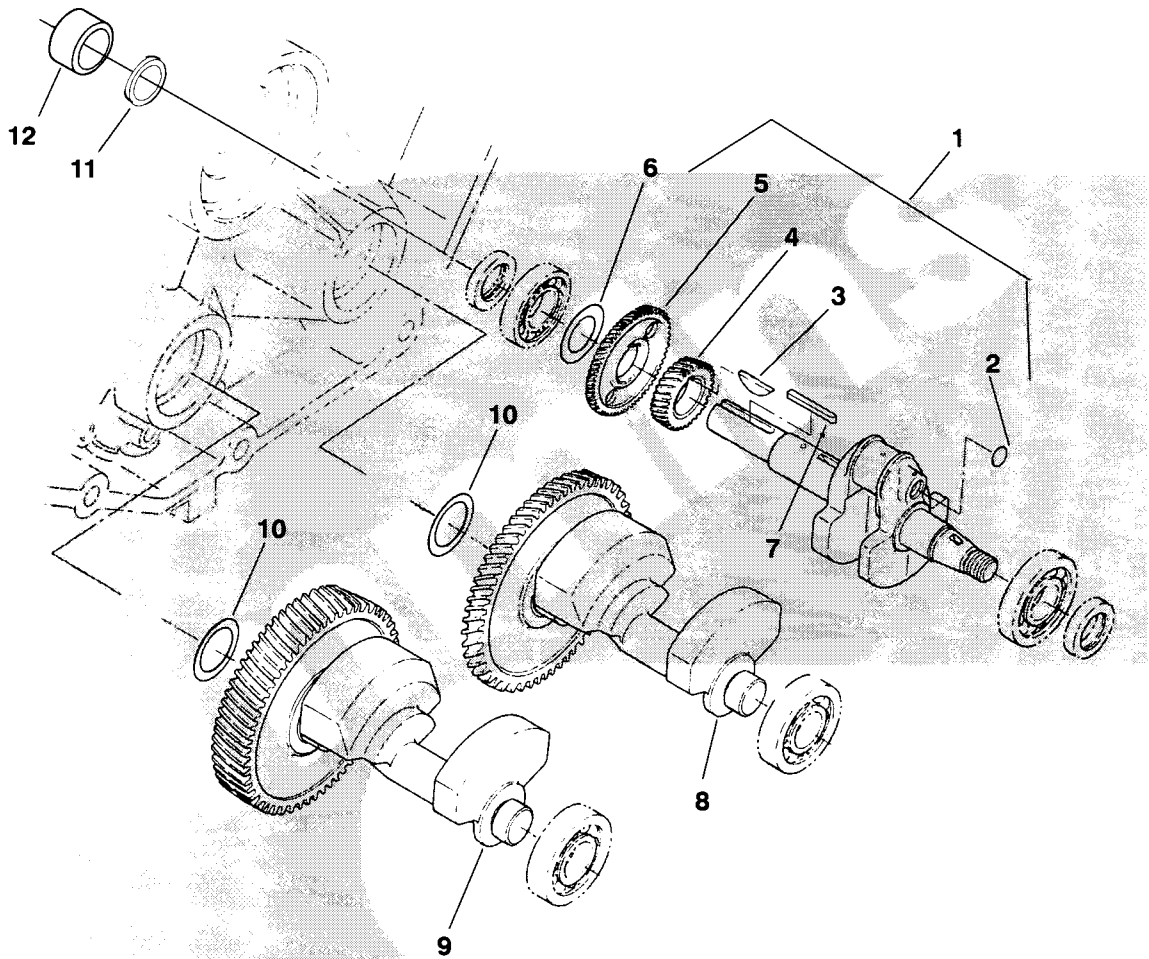


Cylinder Block



REF NO.	PART NO.	QTY USED	PART DESCRIPTION	REF NO.	PART NO.	QTY USED	PART DESCRIPTION
1	-	1	Block, Cylinder (See Short Block Catalog #932-0109)	10	510-0163	2	Bearing, Balancer Shaft
2	110-3615	2	Pin, Hollow Dowel	11	775-0074	2	Pin, Alignment
3	191-2107	1	Starter (Code 33AT) (See Separate Page for Components)	12	502-0153	2	Plug, Oil Drain
4	853-0016	1	Washer, ET Lock (5/16") (Code 33AT)	13	823-0003-07	2	Screw, Pan Head (M6 x 1 x 30mm)
5	526-0115	1	Washer, Flat (5/16") (Code 33AT)	14	166-0832	1	Coil, Ignition
6	750-1006	1	Nut, Hex (M8 x 1.25) (Code 33AT)	15	166-0837	2	Spacer, Ignition Coil (M6 x 30mm)
7	510-0162	1	Bearing, Camshaft	16	718-1040	2	Screw, Hex Head Cap (M8 x 1.25 x 40mm)
8	509-0258	1	Seal, Crankshaft Oil	17	191-1924	1	Cover, Starter Hole (Code 31BD)
9	510-0160	1	Bearing, Crankshaft	18	815-0384	2	Screw, Hex Washer Head Thread Form (3/8-16 x 3/4") (Code 31BD)

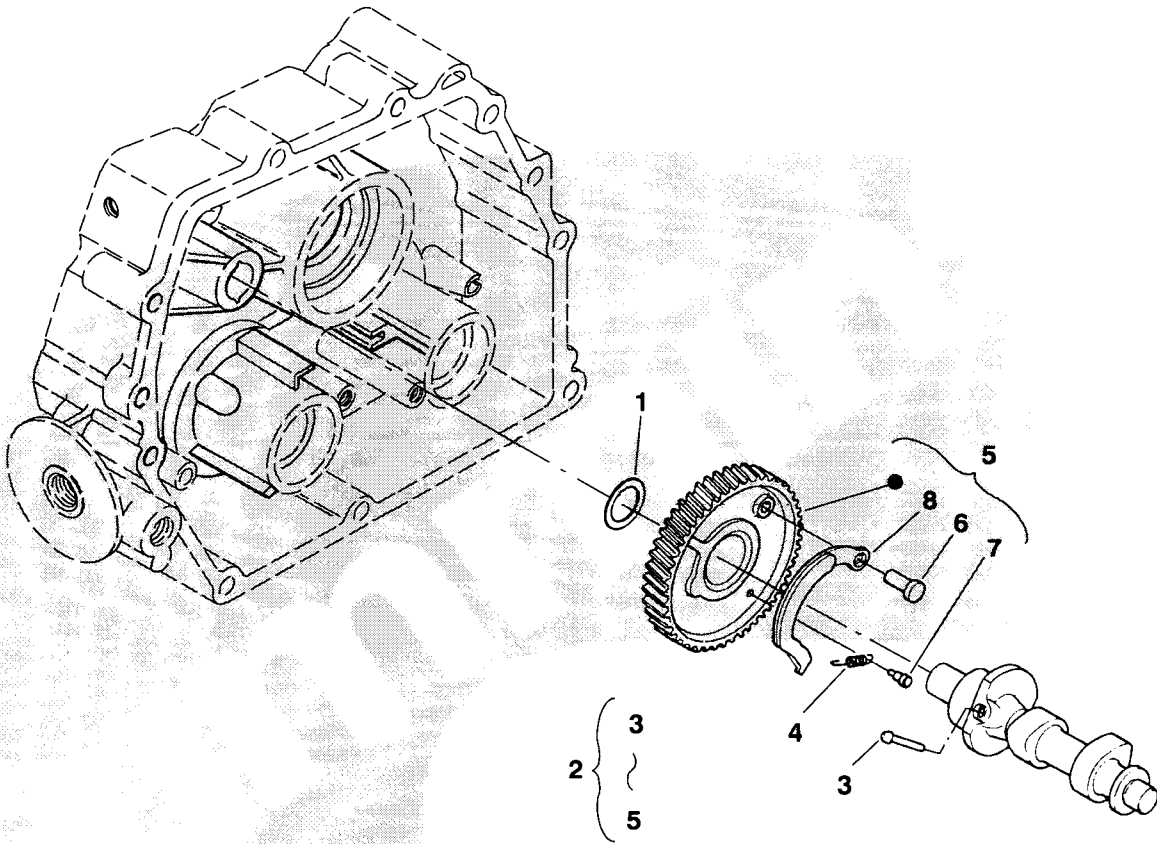
Crankshaft



REF NO.	PART NO.	QTY USED	PART DESCRIPTION	REF NO.	PART NO.	QTY USED	PART DESCRIPTION
1			Crankshaft Assy (Includes Parts Marked *)	8	104-1816-04	1	Shaft Assy, Balancer (Includes Gear)
	104-1925-02	1	Code 45CF	9	104-1816-03	1	Shaft Assy, Balancer (Includes Gear)
	104-1925-04	1	Code 45EF				
	104-1925-01	1	Code 45EG	10			Shim, Balancer Shaft (Use as Required)
2	104-1718	1	*Plug, Expansion		104-1809-01	1	0.5mm Thick
3	515-0293	1	*Key, Crankshaft Gear		104-1809-02	1	0.6mm Thick
4	104-1856	1	*Gear, Crankshaft		104-1809-03	1	0.7mm Thick
5	104-1855	1	*Gear, Balancer		104-1809-04	1	0.8mm Thick
6			Shim, Crankshaft (Use as Required)		104-1809-05	1	0.9mm Thick
	104-1721-01	1	0.2mm Thick		104-1809-06	1	1.0mm Thick
	104-1721-02	1	0.3mm Thick		104-1809-07	1	1.2mm Thick
	104-1721-03	1	0.4mm Thick	11	526-0421	1	Washer, Spacer (Spec 11187)
	104-1721-05	1	0.5mm Thick	12	104-1903	1	Spacer (Spec 11187)
	104-1721-07	1	0.7mm Thick				
	104-1721-08	1	0.8mm Thick				
7	515-0103	1	Key, Crankshaft (Code 45BW)				

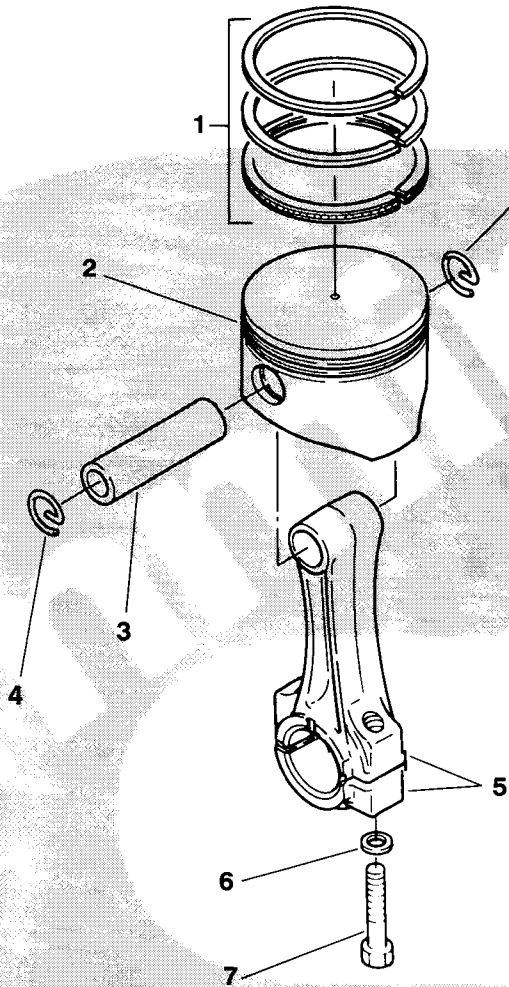
* - Parts Included in Crankshaft Assy.

Camshaft



sREF NO.	PART NO.	QTY USED	PART DESCRIPTION	REF NO.	PART NO.	QTY USED	PART DESCRIPTION
1			Shim, Camshaft (Use as Required)	3	150-2304	1	Pin, Decompression
	105-0649-01	1	0.5mm Thick	4	150-2303	1	Spring, Decompression
	105-0649-02	1	0.6mm Thick	5	105-0716	1	Camgear Assy (Includes Gear, Flyweight Shaft, Flyweight, and Pin)
	105-0649-03	1	0.8mm Thick	6	150-2572	1	Shaft, Flyweight
	105-0649-04	1	0.9mm Thick	7	150-2573	1	Pin, Flyweight
	105-0649-05	1	1.0mm Thick	8	105-0712	1	Flyweight
	105-0649-06	1	1.2mm Thick				
2	105-0719	1	Camshaft Assy (Includes Pin, Spring, Camgear Assy)				

Piston

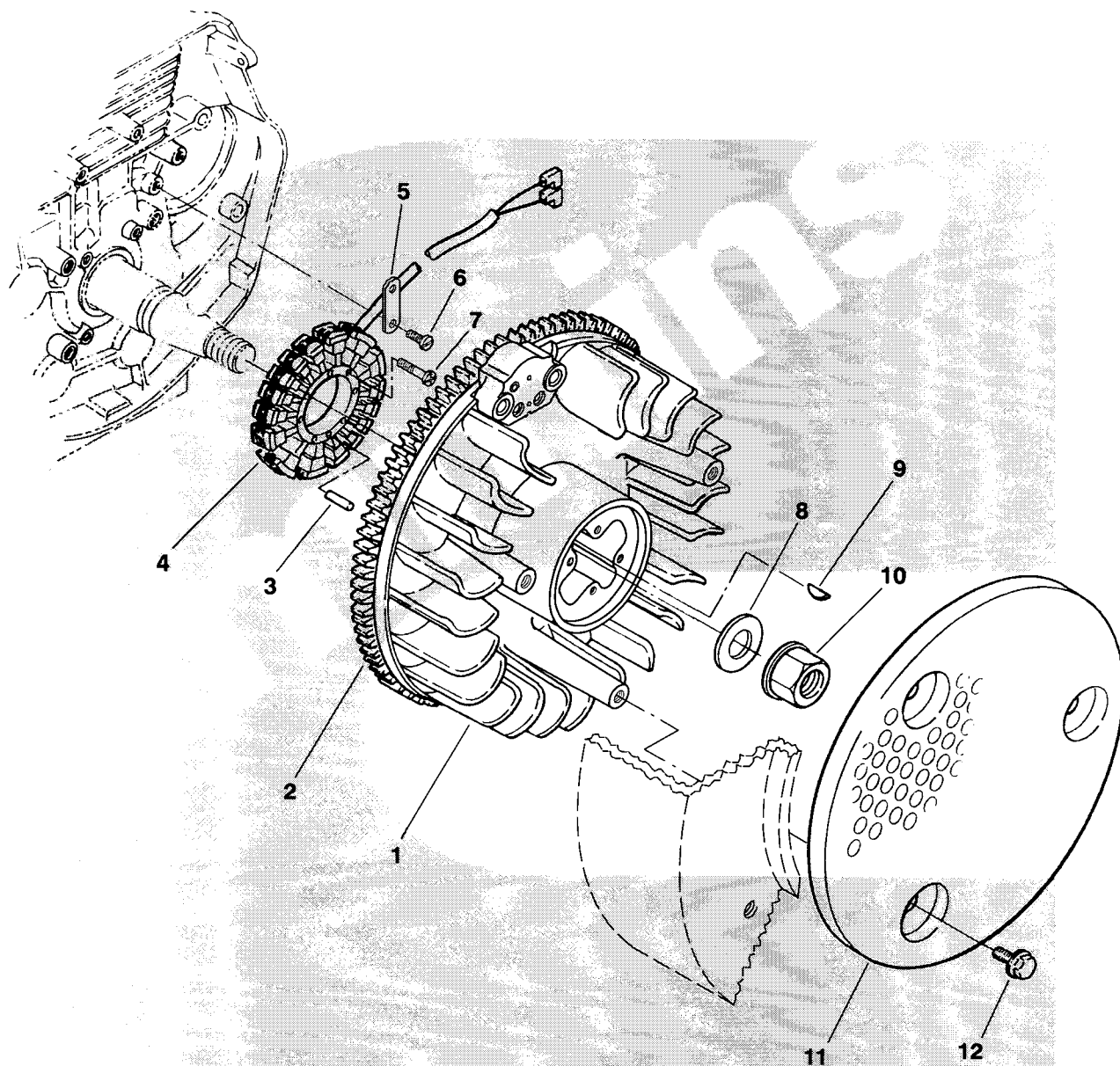


REF NO.	PART NO.	QTY USED	PART DESCRIPTION	REF NO.	PART NO.	QTY USED	PART DESCRIPTION
1	113-0330	1	Ring Set, Piston	3	112-0244	1	Pin, Piston
	113-0330-01	1	Standard	4	112-0245	2	Ring, Retaining
	113-0330-02	1	.25mm Oversize	5			Rod, Connecting (Includes Bolts)
2	112-0276	1	Piston (Includes Pin, Ring Set and Retaining Rings)		114-0357	1	Standard
	112-0276-01	1	Standard		114-0357-01	1	.25mm Undersize
	112-0276-02	1	.25mm Oversize		114-0357-02	1	.50mm Undersize
	112-0276-02	1	.50mm Oversize	6	114-0356	2	Washer, Connecting Rod
				7	114-0355	2	Bolt, Connecting Rod



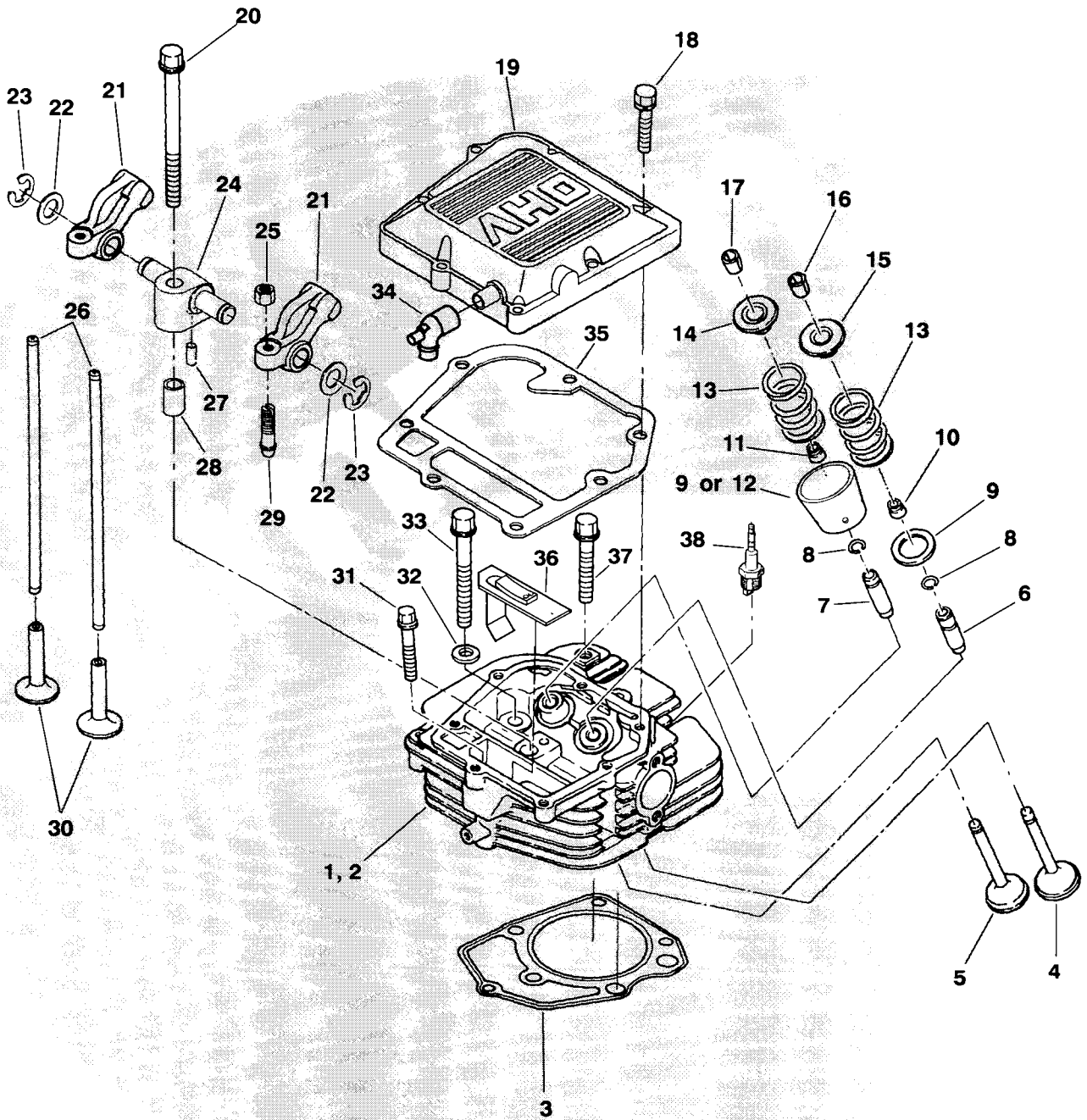


Blower Wheel



REF NO.	PART NO.	QTY USED	PART DESCRIPTION	REF NO.	PART NO.	QTY USED	PART DESCRIPTION
1			Wheel Assy, Blower (Includes Magnets and Ring Gear)	8	526-0405	1	Washer, Flat (M18)
	134-5067-01	1	Code 31AZ	9	515-0295	1	Key
	134-5067-03	1	Code 31BD	10	870-2060	1	Nut, Flange (M18 x 1.5)
2	134-4773	1	Gear, Ring (Code 31AZ)	11	134-5006-02	1	Screen, Chaff (Units Without Code 23DJ)
3	775-0061	2	Pin, Alignment (Code 31AZ)	12	718-1017	3	Screw, Hex Head Cap (M6 x 1 x 10mm) (Units Without Code 23DJ)
4	191-1456-04	1	Stator (Code 31AZ)				
5	191-1967	1	Clamp, Cord (Code 31AZ)				
6	823-0003-02	1	Screw, Pan Head (Code 31AZ)				
7	815-0638-01	2	Screw, Button Head Machine (M6 x 1 x 20mm) (Code 31AZ)				

Cylinder Head



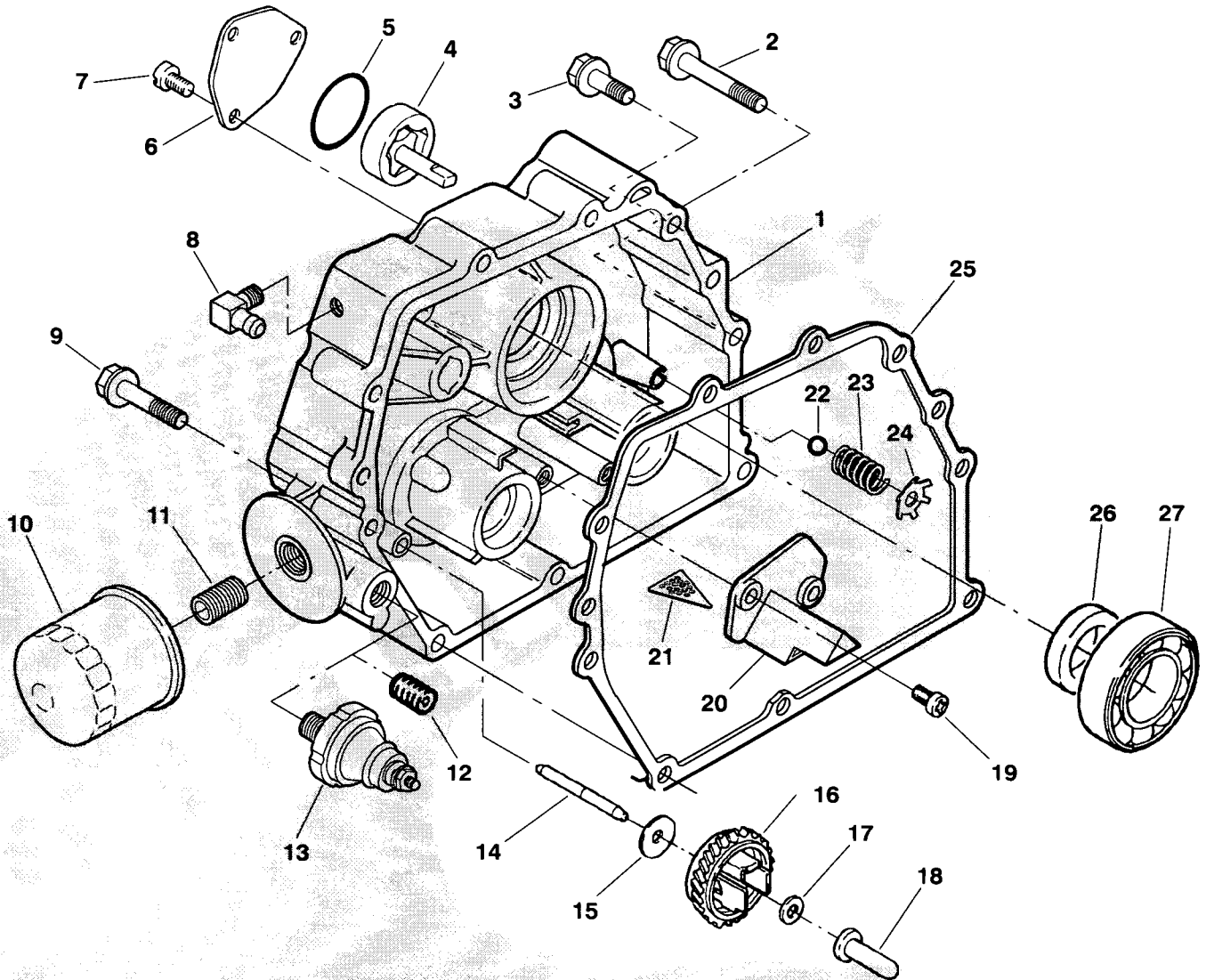
Cylinder Head

REF NO.	PART NO.	QTY USED	PART DESCRIPTION	REF NO.	PART NO.	QTY USED	PART DESCRIPTION
1	110-3912	1	Head Assy, Cylinder (Includes Parts Marked #)	21	115-0426	2	Arm Assy, Rocker (Includes Nuts and Screws)
2	110-3911	1	#Head, Cylinder (Includes Seats and Parts Marked +)	22	115-0473	2	Washer, Rocker Arm
3	110-3591	1	Gasket, Cylinder Head	23	518-0566	2	Clip, Retainer
4	110-3578	1	#Valve, Intake (Marked "IN")	24	115-0429	1	Shaft, Rocker Arm
5	110-3579	1	#Valve, Exhaust (Marked "EX")	25	115-0428	2	Nut, Lash Adjusting (M7 x .75)
6	110-3693	1	+Guide, Intake Valve	26	115-0424	2	Rod, Push
7	110-3694	1	+Guide, Exhaust Valve	27	516-2004	1	Pin, Dowel
8	110-3580	2	+Ring, Valve Guide	28	110-3615	1	Pin, Hollow Dowel
9			#Washer, Valve Spring	29	115-0427	2	Screw, Lash Adjusting (M7 x .75 x 18mm)
	110-3587	1	Spec A-C				
	110-3587	2	Begin Spec D	30	115-0423	2	Tappet
10	110-3586	1	#Seal, Intake Valve Stem	31	110-3596	1	Bolt, Cylinder Head (M8 x 1.25 x 50mm)
11	509-0330	1	#Seal, Exhaust Valve Stem (Begin Spec D)	32	740-1008	1	Washer, Flat (M10)
12	110-3898-01	1	#Shield, Exhaust Valve (Spec A-C)	33	110-3594	2	Bolt, Cylinder Head (M10 x 1.5 x 86mm)
13	110-3822	2	#Spring, Valve	34	123-2030	1	Connector, Breather Tube
14	110-3826	1	#Retainer, Exhaust Valve Spring	35	110-3830-01	1	Gasket, Valve Cover
15	110-3825	1	#Retainer, Intake Valve Spring	36	123-2014	1	Breather
16	110-3827	2	#Lock, Intake Valve	37	110-3593	2	Bolt, Cylinder Head (M10 x 1.5 x 66mm)
17	110-3584	2	#Lock, Exhaust Valve				
18	800-3026	7	Screw, Hex Head Flange (M6 x 1 x 25mm)	38	167-0275	1	Plug, Spark
19			Cover, Valve				
	110-3863-04	1	Spec A-C				
	110-3863-01	1	Begin Spec D				
20	110-3595	1	Bolt, Cylinder Head (M10 x 1.5 x 125mm)				

- Parts Included in Cylinder Head Assy.

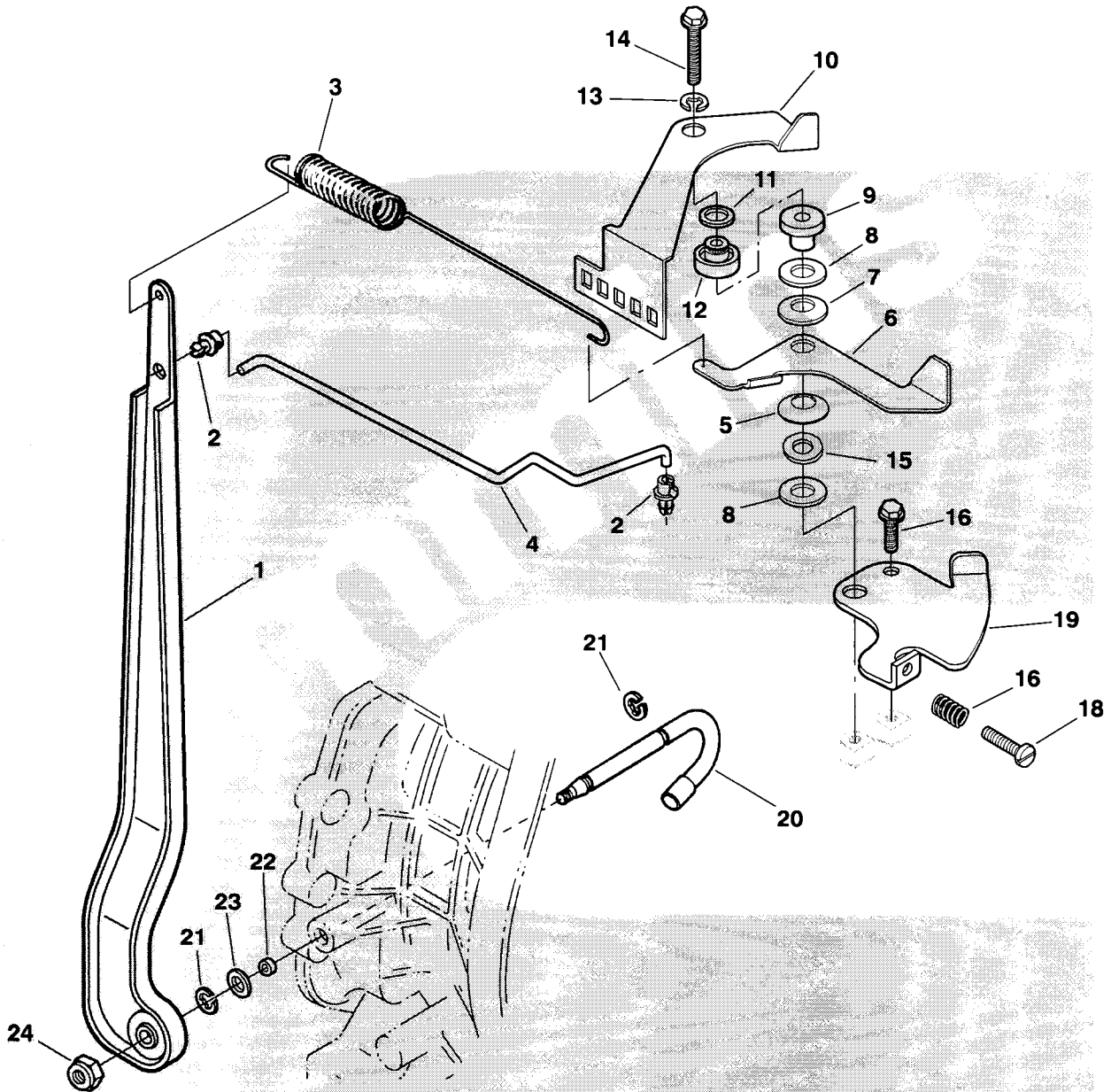
+ - Parts Included in Cylinder Head.

Gearcase

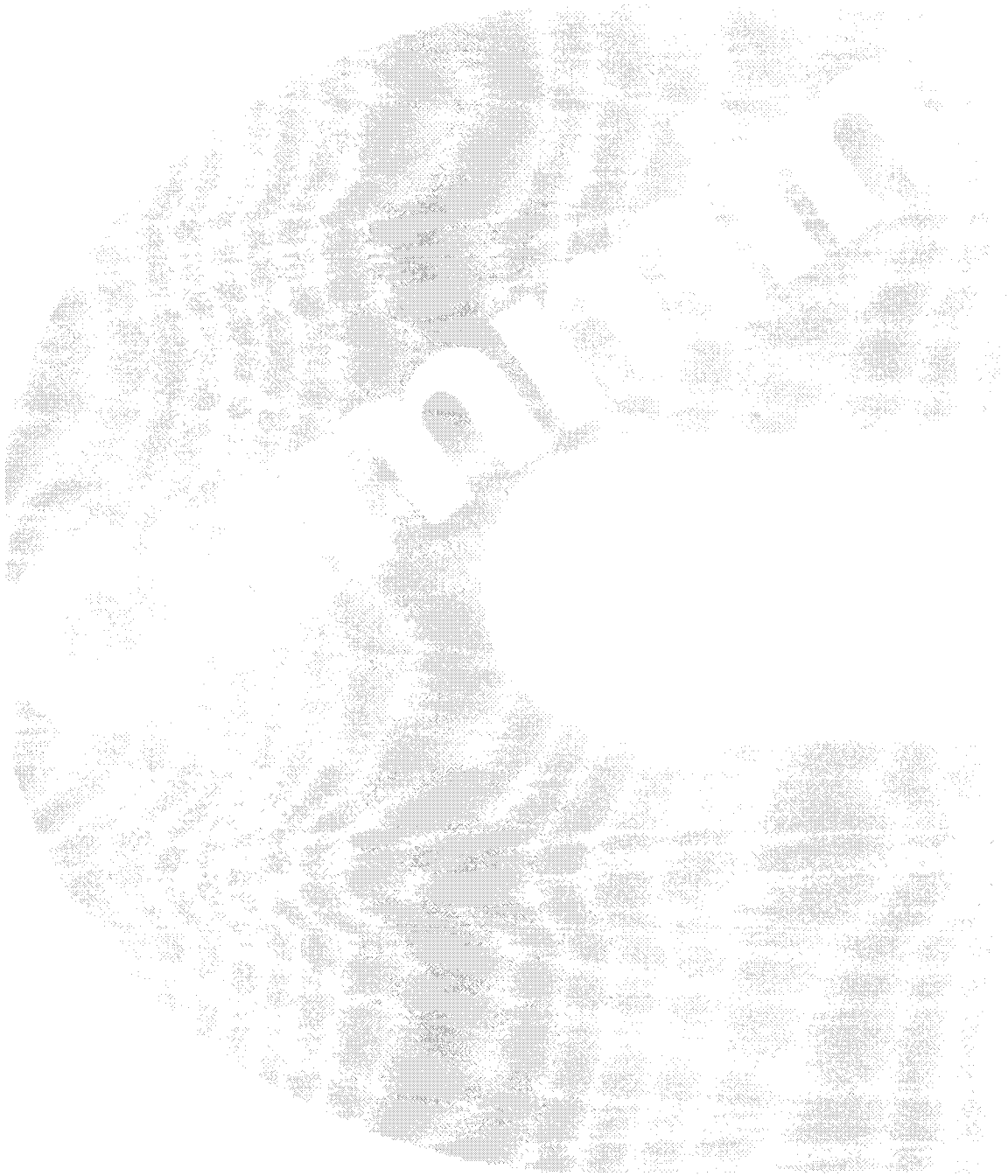


REF NO.	PART NO.	QTY USED	PART DESCRIPTION	REF NO.	PART NO.	QTY USED	PART DESCRIPTION
1			Gearcase	11	122-0475	1	Adapter, Oil Filter
	103-0825-03	1	Code 11BL	12	505-1426	1	Plug, Countersunk Head Code (w/o Code 35AU)
	103-0825-01	1	Code 11BM	13	309-0615	1	Switch, Oil Pressure (S1) (Code 35AU)
	103-0826	1	Code 11BN	14	775-0069	1	Shaft, Governor
	103-0825-07	1	Code 11BP	15	526-2078	1	Washer, Flat (Special)
2	815-0829-03	1	Screw, Hex Head Flanged Thread Forming (M8 x 1.25 x 70mm)	16	150-2272	1	Gear, Governor (Includes Shafts and Weights)
3	815-0829-01	1	Screw, Hex Head Flanged Thread Forming (M8 x 1.25 x 35mm)	17	150-2547	1	Retainer, Governor Gear
4	120-1313	1	Pump, Oil	18	150-2530	1	Sleeve, Governor
5	509-0253	1	O'Ring	19	823-0003-02	2	Screw, Torx Drive Pan Head (M6 x 1 x 14mm)
6	120-1299-02	1	Cover, Oil Pump (M6 x 1 x 14mm)	20	120-1295	1	Tube, Oil Pickup
7	823-0003-05	3	Screw, Pan Head Torx Drive (M6 x 1 x 14mm)	21	120-1298	1	Screen, Oil Pickup
8	502-0313	1	Elbow, 90° Hose	22	510-0043	1	Ball, Steel (5/16" OD)
9	815-0829-02	7	Screw, Hex Head Flanged Thread Forming (M8 x 1.25 x 50mm)	23	120-0140	1	Spring, Relief Valve
10	122-0737	1	Filter, Oil	24	518-0560	1	Ring, Retaining
				25	110-3833	1	Gasket, Gearcase
				26	509-0258	1	Seal, Crankshaft Oil
				27	510-0160	1	Bearing, Crankshaft

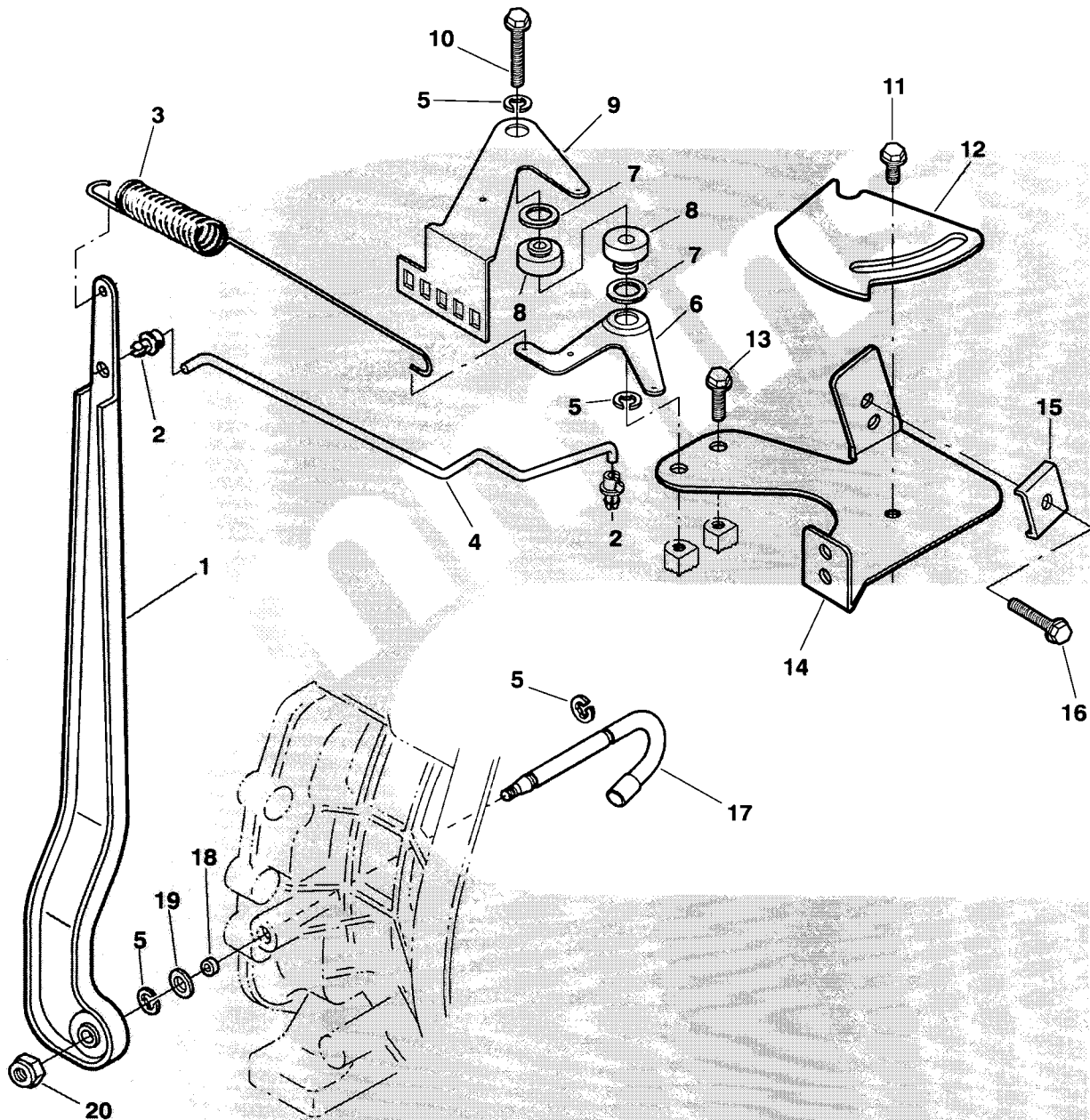
Governor (Code 13DF)



REF NO.	PART NO.	QTY USED	PART DESCRIPTION	REF NO.	PART NO.	QTY USED	PART DESCRIPTION
1	150-2534-02	1	Lever, Governor				(M5 x 0.8 x 30mm)
2	152-0343	2	Clip, Link	15	526-0442-02	1	Washer
3	150-2542	1	Spring, Governor	16	815-0793-04	1	Screw, Hex Flange (M5 x 0.8 x 16mm)
4	152-0332	1	Link, Throttle	17	150-2394	1	Spring, Adjust Screw
5	526-0426	1	Washer, Spring Conical	18	823-0002-08	1	Screw, Pan Head (M4 x .7 x 20mm)
6	152-0335-03	1	Lever, Control	19	152-0361-03	1	Bracket, Throttle Lever
7	526-0424	1	Washer, Spring Conical	20	150-2529	1	Shaft, Governor Lever
8	508-0335	2	Washer, Nylon	21	518-0576	2	Circlip
9	145-0722-02	1	Lever, Pivot	22	509-0255	1	Seal, Governor Shaft Lever
10	153-0657-03	1	Lever, Choke	23	740-1006	1	Washer, Flat (M8)
11	851-0042	1	Washer, Wave Spring (M5)	24	870-0506	1	Nut, Nylon Lock (M6 x 1)
12	145-0697	1	Pivot, Lever				
13	518-0576	1	Circlip				
14	815-0793-07	1	Screw, Hex Flange				

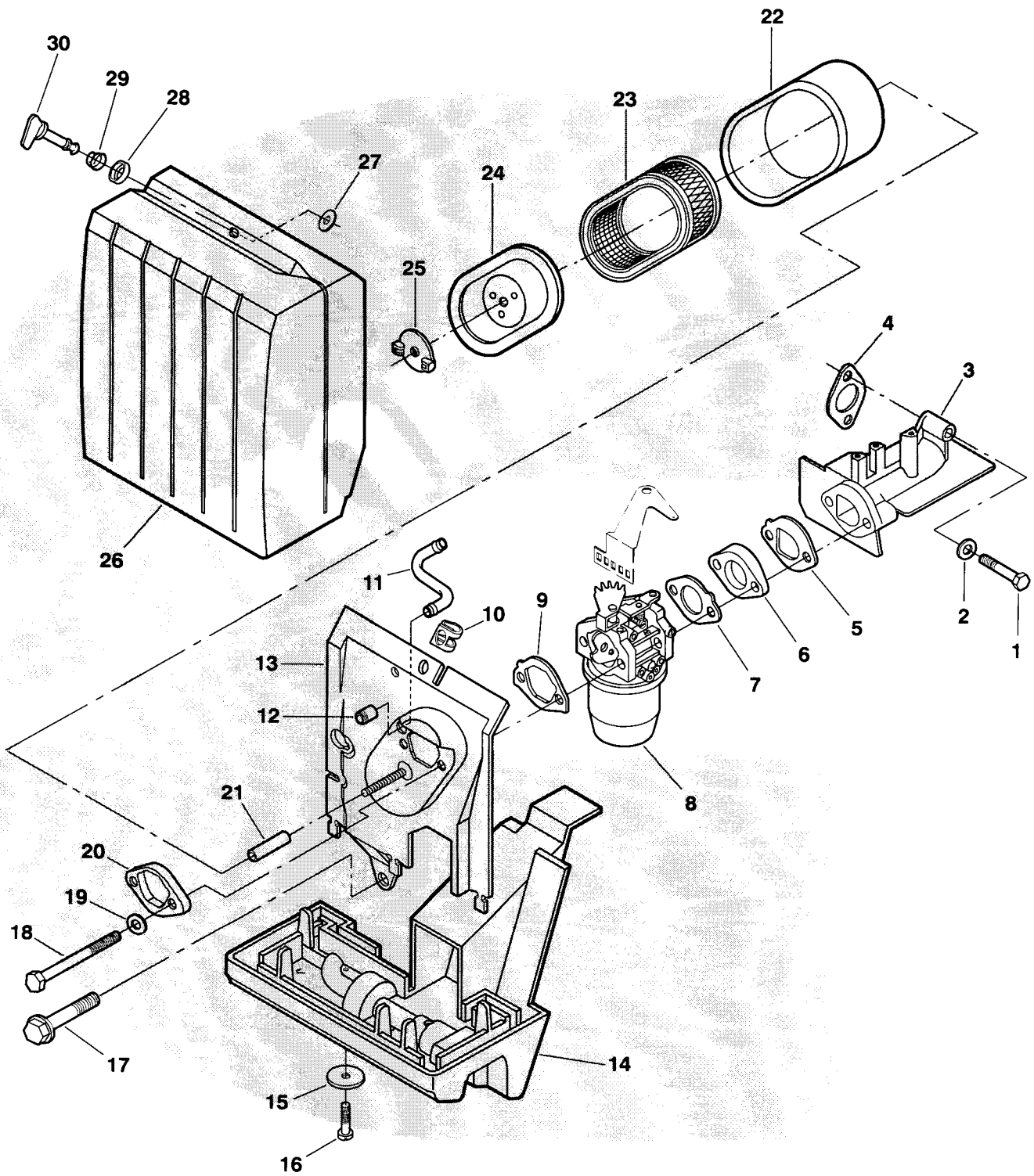


Governor (Code 13BJ, 13BK)



REF NO.	PART NO.	QTY USED	PART DESCRIPTION	REF NO.	PART NO.	QTY USED	PART DESCRIPTION
1	150-2534-02	1	Lever, Governor	12	152-0345-03	1	Bracket, Throttle Stop
2	152-0343	2	Clip, Link	13	815-0793-04	1	Screw, Hex Flange (M5 x 0.8 x 16mm)
3	150-2542	1	Spring, Governor	14	152-0344-03	1	Bracket, Throttle Lever
4	152-0332	1	Link, Throttle	15	153-0633-01	1	Clamp, Cable
5	518-0576	4	Circlip	16	815-0359	1	Screw, Hex Washer Head Thread Forming (#10-32 x 7/8")
6	152-0346-03	1	Lever, Control	17	150-2529	1	Shaft, Governor Lever
7	851-0042	2	Washer, Wave Spring (M5)	18	509-0255	1	Seal, Governor Shaft Lever
8	145-0697	2	Pivot, Lever	19	740-1006	1	Washer, Flat (M8)
9	153-0663-03	1	Lever, Choke	20	870-0506	1	Nut, Nylon Lock (M6 x 1)
10	815-0793-07	1	Screw, Hex Flange (M5 x 0.8 x 30mm)				
11	815-0793-02	1	Screw, Hex Flange (M5 x 0.8 x 10mm)				

Carburetor

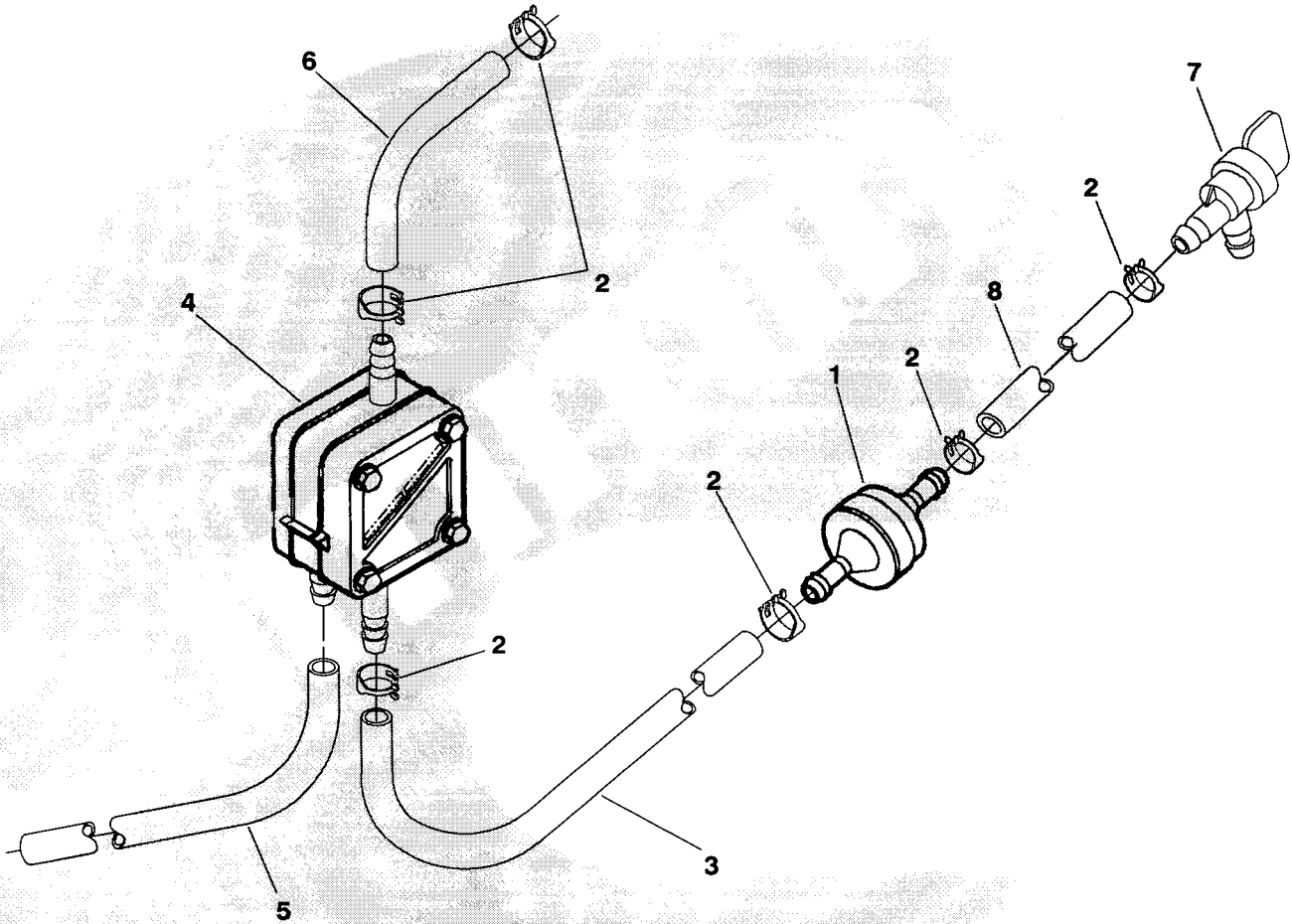


Carburetor

REF NO.	PART NO.	QTY USED	PART DESCRIPTION	REF NO.	PART NO.	QTY USED	PART DESCRIPTION
	146-0704	1	Kit Jet, Altitude (Used OUT SIDE State of California ONLY)	17	815-0829-04	1	Forming (#10-16 x 1/2") Screw, Hex Head Flange Thread Forming (M8 x 1.25 x 16mm)
	146-0757	1	Kit Repair, Carburetor	18	815-0816-01	2	Screw, Hex Head Thread Forming (M6 x 1 x 90mm)
1	800-2063	2	Screw, Hex Head Cap (M8 x 1.25 x 50mm)	19	740-1004	2	Washer, Flat (M6)
2	526-0115	2	Washer, Flat (M8)	20	145-0694	1	Support, Carburetor
3	154-2871	1	Elbow, Intake	21	140-2536-05	1	Seal, Air Cleaner Spacer (.625")
4	146-0584-01	1	Gasket, Intake	22	140-2748	1	Wrapper, Air Filter
5	146-0599	1	*Gasket, Insulator	23	140-2672	1	Filter, Air
6	146-0532	1	Insulator, Carburetor	24	140-2674-01	1	Cover, Air Filter
7	146-0600	1	*Gasket, Insulator	25	865-0029	1	Nut, Wing (1/4-20)
8	146-0701	1	Carburetor (Includes Insulator and Air Cleaner Gaskets)	26	140-2749	1	Cover, Air Cleaner
9	140-2771	1	*Gasket, Air Cleaner	27	406-0749	1	Washer, Nylon (Special)
10	406-0747	1	Receptacle, Fastener	28	406-0750	1	Retainer
11	123-2031	1	Tube, Breather	29	406-0751	1	Spring
12	508-1094	1	Grommet	30	406-0748	1	Fastener, 1/4 Turn
13	140-2765-02	1	Pan Assy, Air Cleaner				
14	140-2999	1	Duct, Air Inlet				
15	526-0408	1	Washer, Fender (Special)				
16	815-0527	1	Screw, Pan Head Thread				

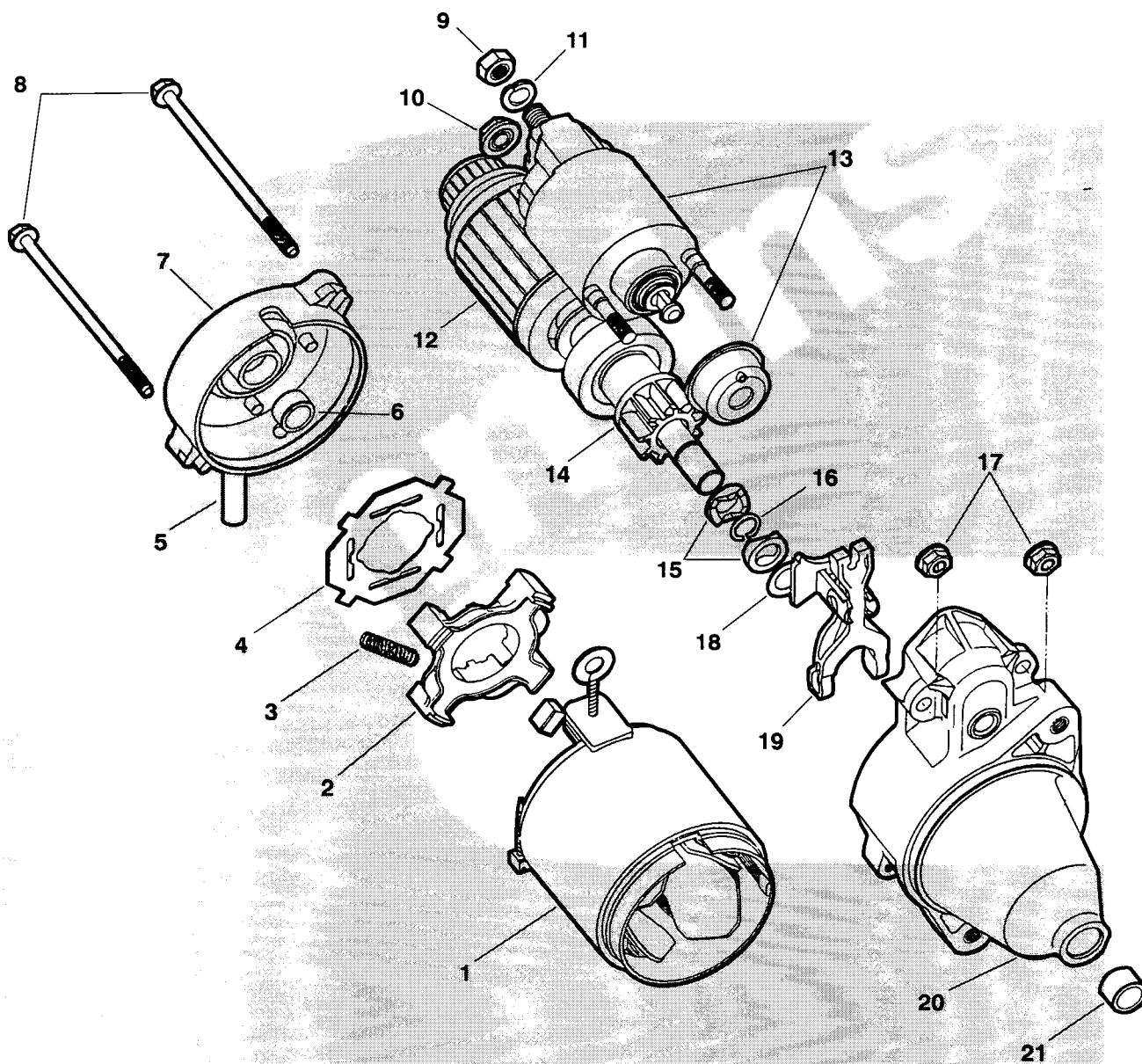
* - Included in Carburetor Repair Kit.

Fuel Pump



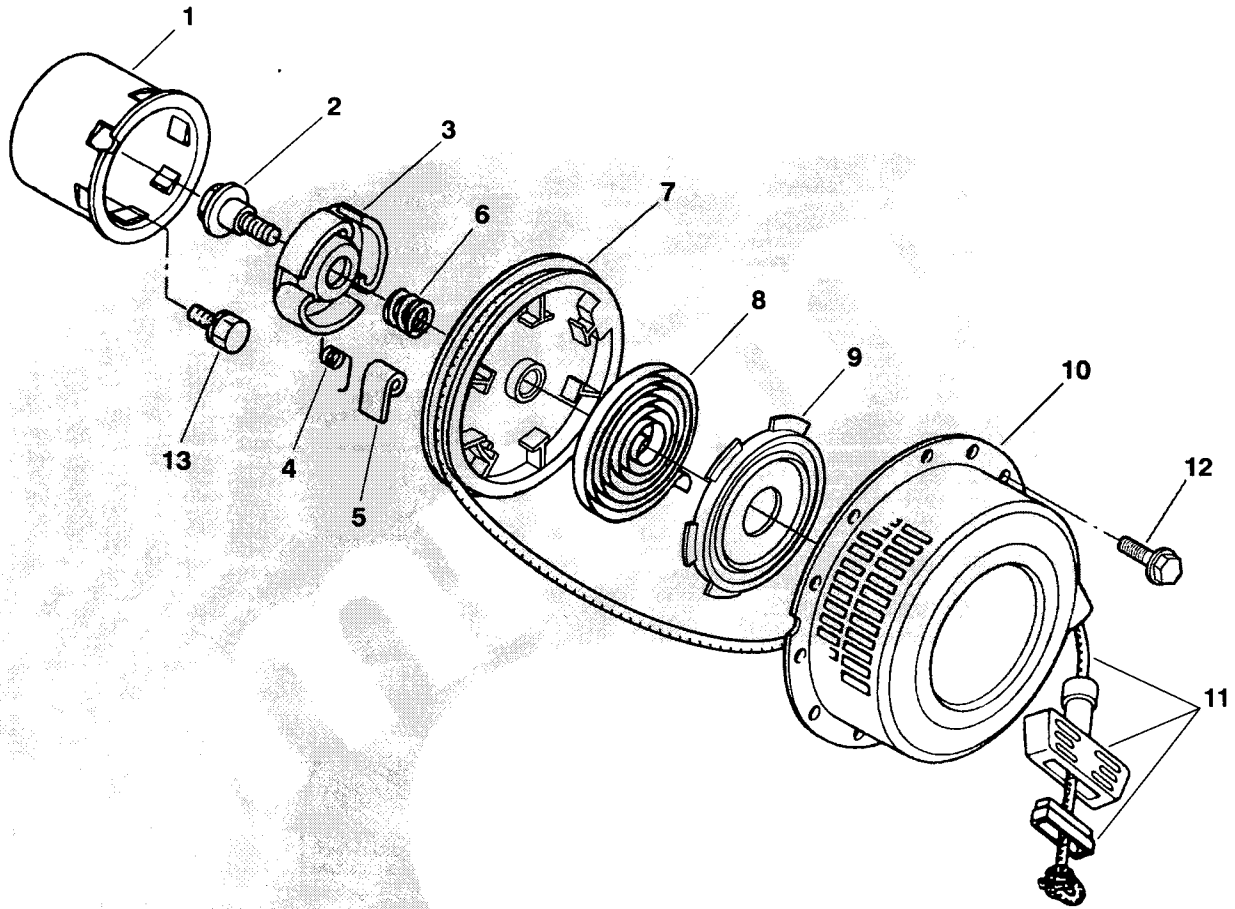
REF NO.	PART NO.	QTY USED	PART DESCRIPTION	REF NO.	PART NO.	QTY USED	PART DESCRIPTION
1	149-2356	1	Filter, Fuel	4	149-2387	1	Pump, Fuel
2	503-0731	4	Clamp, Hose W/O Fuel Valve	5	503-1418	1	Hose, Bulk Fuel (Pulse Line) (1/4" x 116mm)
3	503-0731	6	W/Fuel Valve	6	503-1418	1	Hose, Bulk Fuel (Outlet) (1/4" x 54mm)
	503-1418	1	Hose, Bulk Fuel W/O Fuel Valve (Inlet)	7	504-0190	1	Valve, Fuel
	503-1418	1	(1/4" x 230mm) W/Fuel Valve (1/4" x 148mm)	8	503-1442	1	Hose, Fuel (40mm)

Starter Components (Code 33AT)



REF NO.	PART NO.	QTY USED	PART DESCRIPTION	REF NO.	PART NO.	QTY USED	PART DESCRIPTION
	191-2107	1	Starter	11	185-2381	1	Washer, Spring
1	185-2659	1	Frame, Starter	12	185-6381	1	Armature, Starter
2	185-2661	1	Holder, Brush	13	185-2658	1	Switch, Magnetic
3	185-2662	4	Spring, Brush	14	185-6382	1	Clutch
4	185-2664	1	Insulator	15	185-6385	2	Nut, Pinion Stop
5	185-2965	1	Hose, Drain	16	185-6386	1	Ring, Snap
6	185-2663	1	Bearing, Oilless	17	185-2334	2	Nut
7	185-6383	1	Frame Assy, End (Includes Cover and Oil Less Bearing)	18	185-6387	1	Washer, Plate
8	185-2660	2	Bolt, Through	19	185-2656	1	Lever, Starter Drive
9	185-2367	1	Nut	20	185-2706	1	Housing, Starter
10	870-0465	1	Nut	21	185-6384	1	Bearing, Oilless

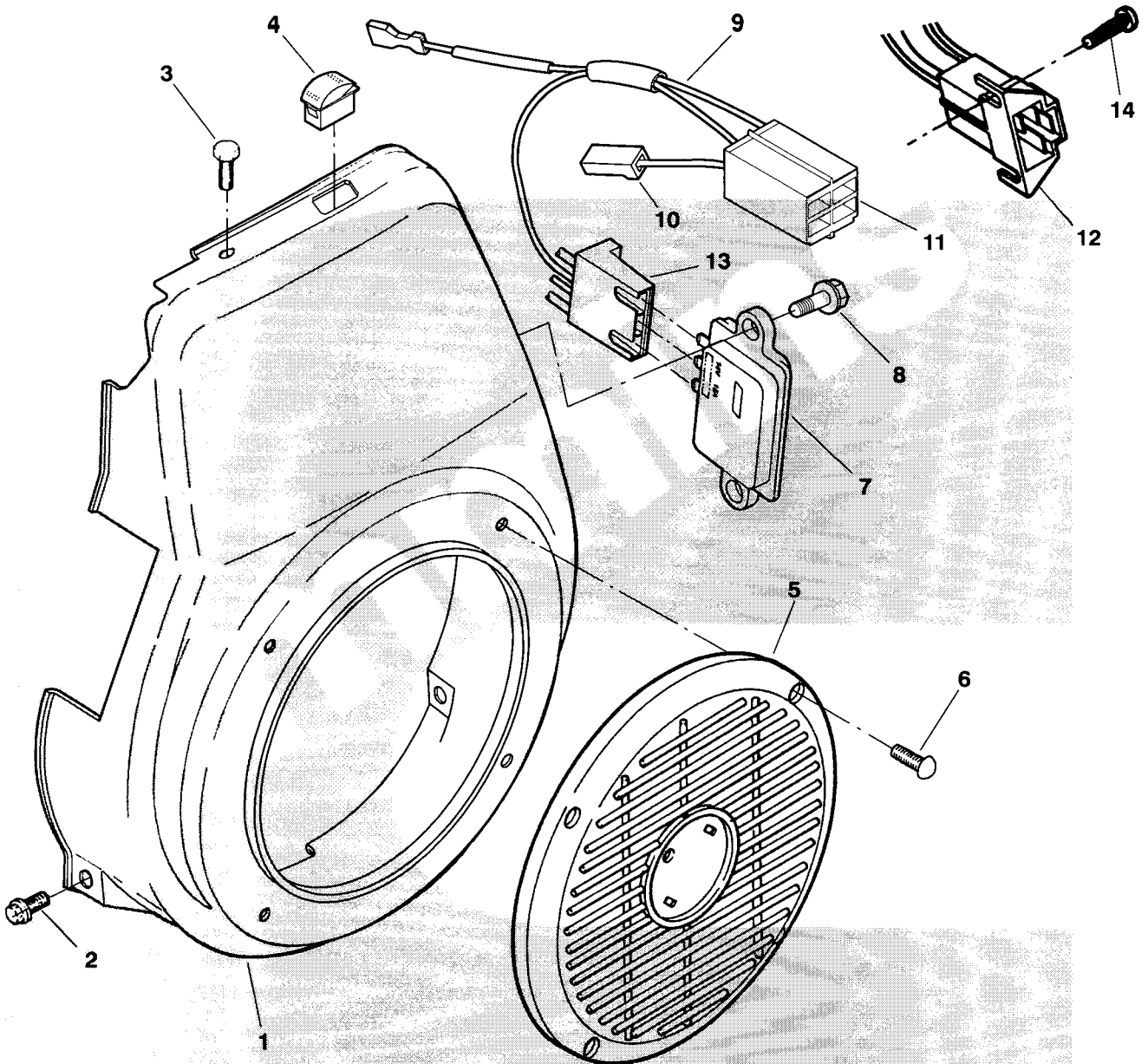
Recoil Starter (Code 33AY)



REF NO.	PART NO.	QTY USED	PART DESCRIPTION	REF NO.	PART NO.	QTY USED	PART DESCRIPTION
	192-0433	1	Starter Assy, Recoil (Includes Parts Marked *)	10	192-0434	1	*Case, Recoil
1	192-0443	1	*Pulley, Crank	11	185-3681	1	*Handle Assy (Includes Handle, Rope and Reinforcement)
2	192-0440	1	*Screw, Center	12	815-0773	4	Boit, Flanged (M6 x 1 x 8mm)
3	192-0441	1	*Retainer	13	821-2045	3	Screw, Self-Locking Hex Head Flange (M8 x 1.25 x 16mm)
4	192-0437	3	*Spring, Dog				
5	192-0438	3	*Dog				
6	192-0439	1	*Spring, Brake				
7	185-2718	1	*Reel				
8	192-0435	1	*Spring, Spiral				
9	192-0442	1	*Case, Spring				

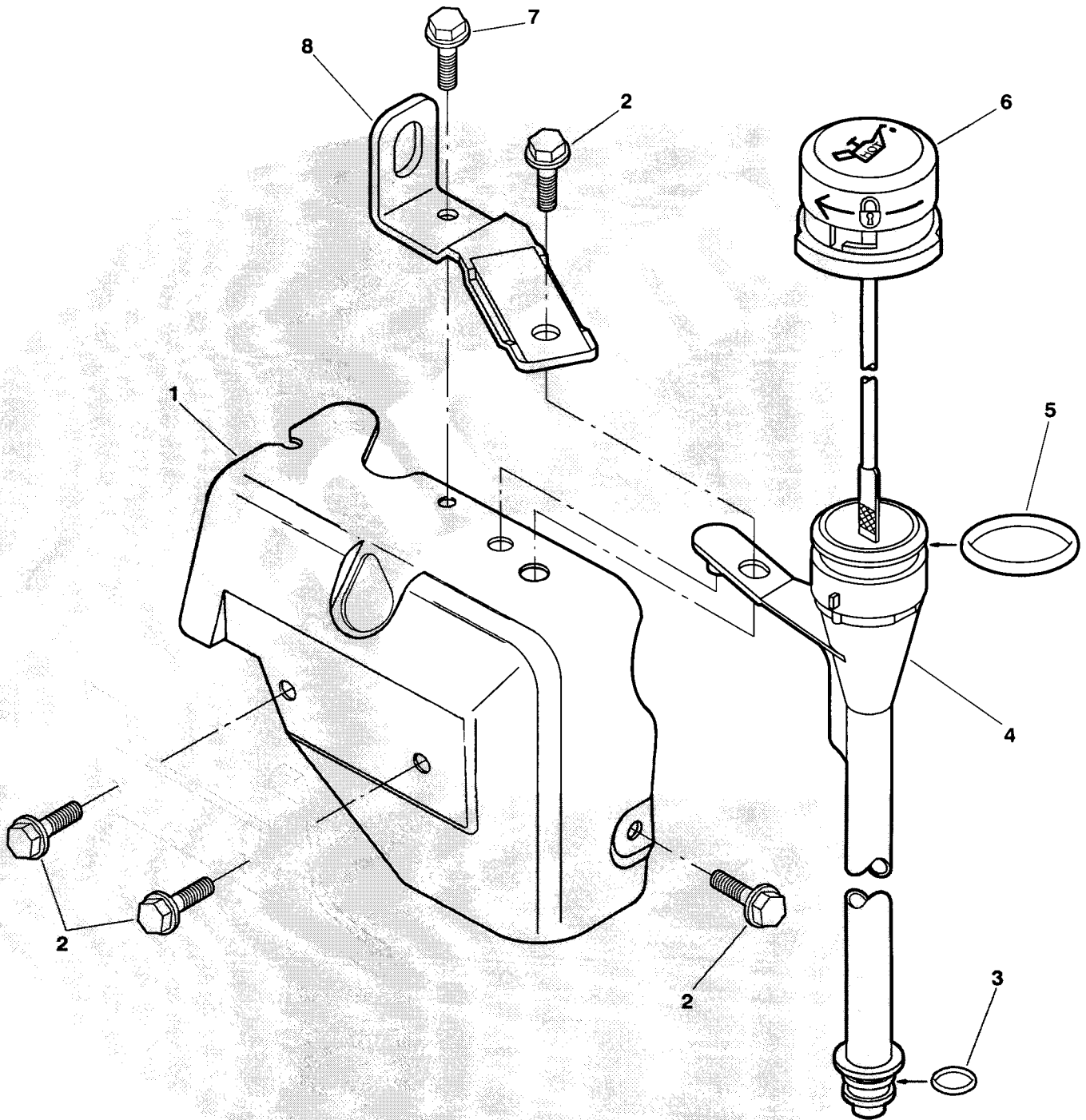
* - Parts Included in Starter Assy.

Blower Housing



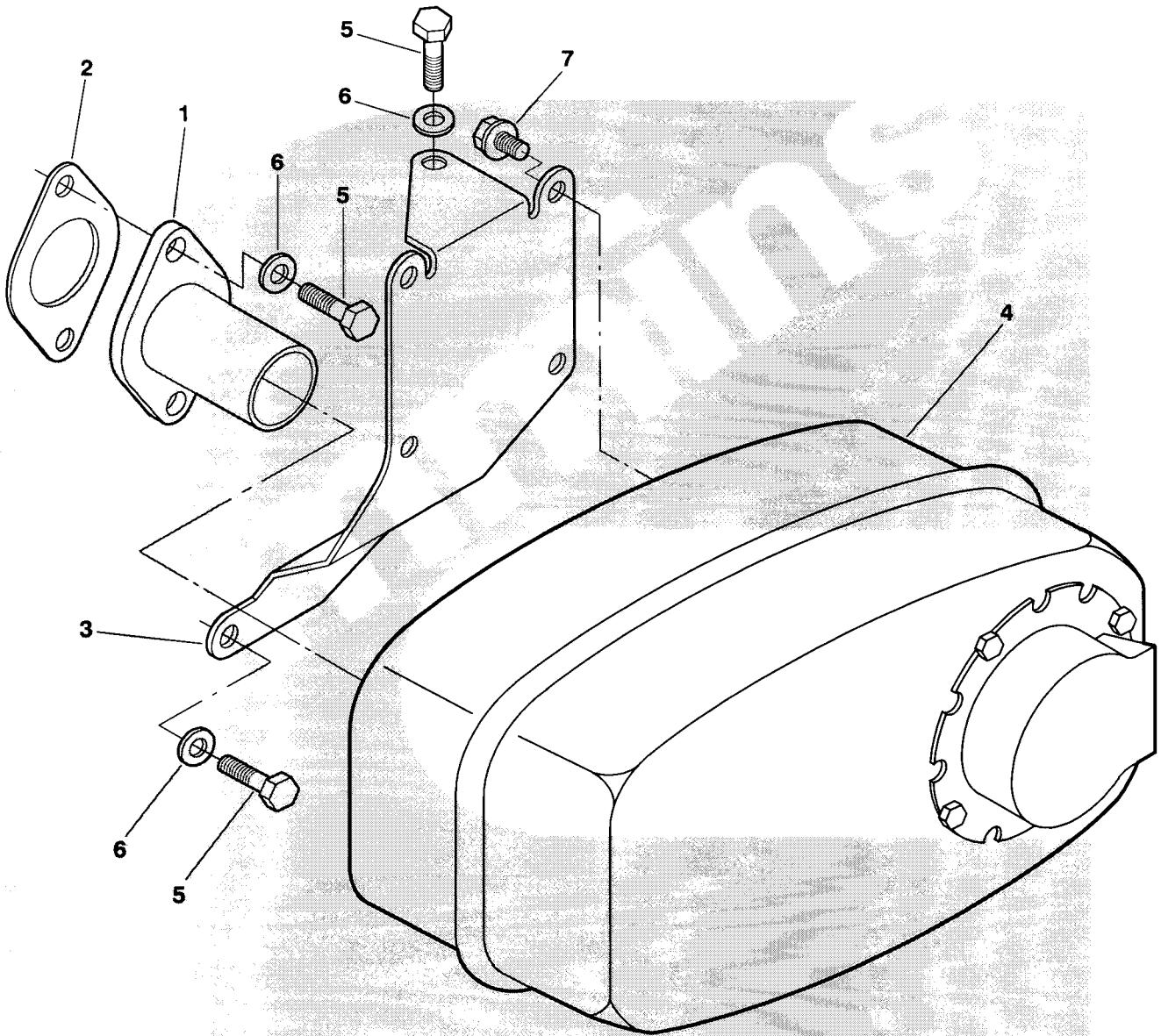
REF NO.	PART NO.	QTY USED	PART DESCRIPTION	REF NO.	PART NO.	QTY USED	PART DESCRIPTION
1	134-5024-03	1	Housing, Blower Code 31BD	9			Harness, Engine (Includes Receptacle Housing, Connector Housing and Connector Body)
	134-5024-04	1	Code 31AZ Without 35CY				
	134-5024-08	1	Code 31AZ and 35CY				
2	821-2033	3	Screw, Hex Washer Locking Head (M6 x 1 x 16mm)	338-3323-01	1		Spec 11267 (Code 35BH)
3	815-0753	1	Bolt, Hex Head Cap (M6 x 14mm)	338-3323-02	1		Spec 11427, 11441 (Code 35BH)
4	308-1061	1	Switch, Start/Stop (Code 35CY)	338-3177	1		Spec 11187, 11317 (Code 35CS)
5	134-4738	1	Guard, Stationary (Code 23DN)	10	323-1216	1	Housing, Receptacle
6	823-1003	4	Screw, Button (M6 x 1 x 20mm) (Code 23DN)	11	323-1721	1	Connector (Code 35BH)
7	191-2207	1	Regulator, Voltage (VR1) (Code 31AZ)	12	323-1604	1	Connector (Code 35CS)
8	815-0474	2	Screw, Hex Washer Head Sheet Metal (1/4-14 x 1/2") (Code 31AZ)	13	323-1585	1	Body, Connector
				14	823-0002-04	1	Screw, Pan Head Torx (M4 x .7 x 12mm) (Code 35CS)

Air Cylinder Housing



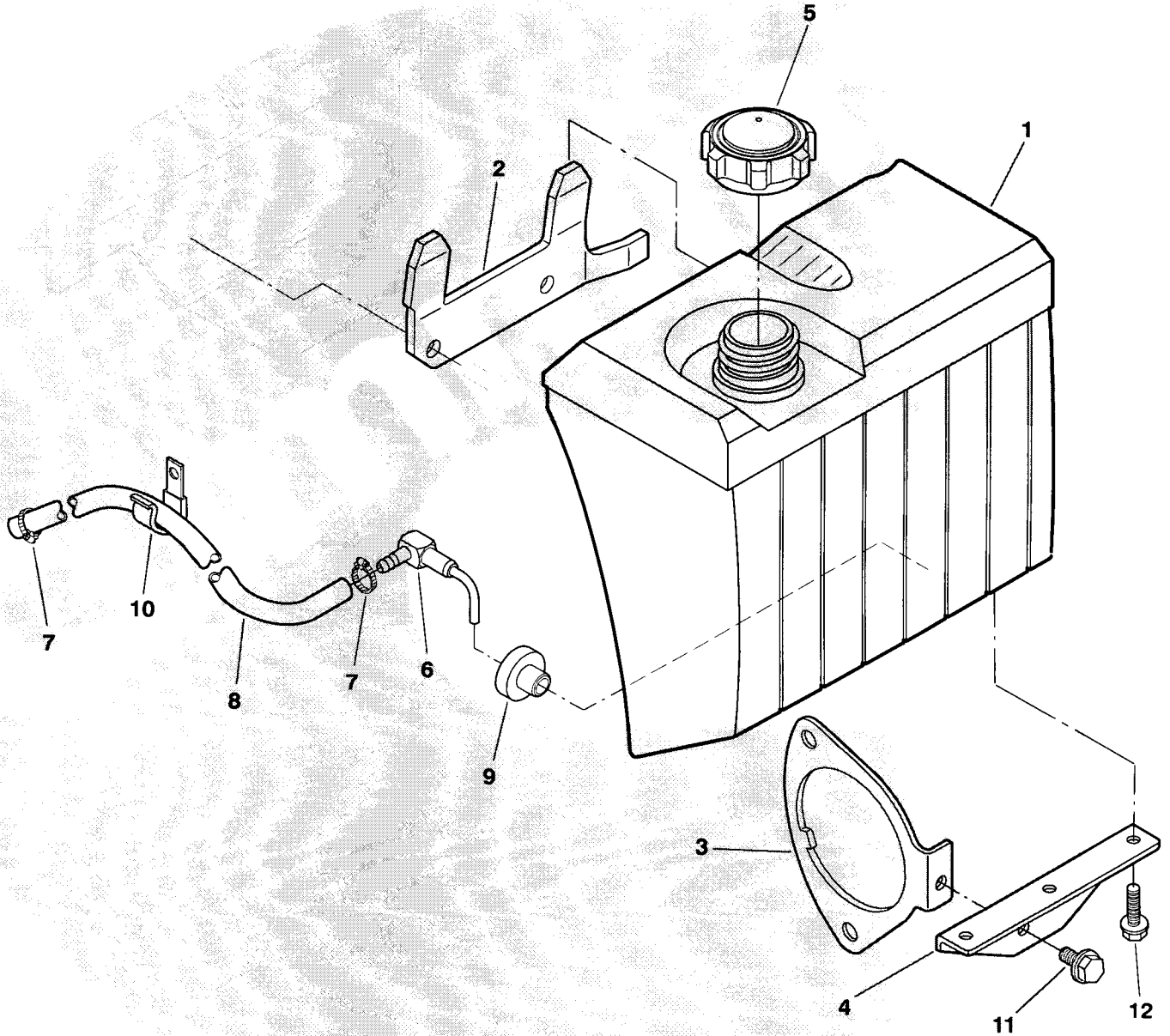
REF NO.	PART NO.	QTY USED	PART DESCRIPTION	REF NO.	PART NO.	QTY USED	PART DESCRIPTION
1	134-5059	1	Housing, Air Cylinder	5	509-0304	1	O'Ring, Upper
2	821-2045	4	Screw, Hex Head Thread Forming Flange (M8 x 1.25 x 16mm)	6	123-1972-01	1	Indicator and Cap Assy
3	509-0324	1	O'Ring, Lower	7	821-2033	1	Screw, Flange Lock (M6 x 1 x 16mm)
4	123-1970	1	Tube, Oil Fill	8	403-3632-02	1	Bracket, Lift

Muffler (Code 21CH)



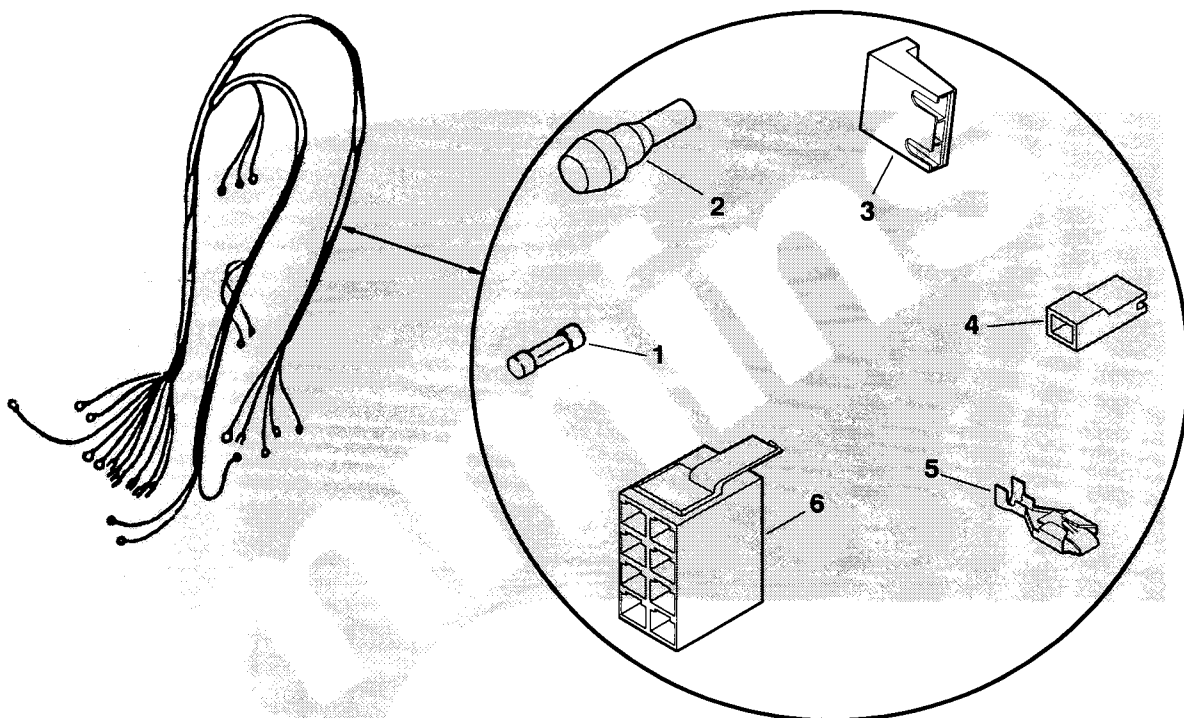
REF NO.	PART NO.	QTY USED	PART DESCRIPTION	REF NO.	PART NO.	QTY USED	PART DESCRIPTION
1	154-2942-02	1	Tube, Exhaust Manifold	6	740-1006	4	Washer, Flat (M8)
2	155-2378	1	Gasket, Exhaust Manifold	7	815-0389	4	Screw, Hex Washer Head Thread Form (1/4-20 x 3/8")
3	155-2910-02	1	Bracket, Muffler Mounting				
4	155-2917	1	Muffler, Exhaust				
5	718-1036	4	Screw, Hex head Cap (M8 x 20mm)				

Fuel Tank (Code 15CZ)



REF NO.	PART NO.	QTY USED	PART DESCRIPTION	REF NO.	PART NO.	QTY USED	PART DESCRIPTION
1	159-1303	1	Tank, Fuel	8	503-1418	1	Hose, Bulk Fuel (1/4" x 500mm)
2	159-1351-02	1	Bracket, Fuel Tank	9	508-1104	1	Grommet, Fuel Elbow
3	159-1352-02	1	Bracket, Fuel Tank	10	518-0515	1	Clip, Wire
4	159-1354-02	1	Bracket, Fuel Tank	11	821-2031	1	Screw, Lock Flange (M6 x 1 x 8mm)
5	159-1462	1	Cap, Fuel	12	821-2032	3	Screw, Lock Flange (M6 x 1 x 12mm)
6	502-1247	1	Elbow, Fuel				
7	503-0731	4	Clamp, Hose				

Start/Stop Switch Harness (Code 35CY)



REF NO.	PART NO.	QTY USED	PART DESCRIPTION	REF NO.	PART NO.	QTY USED	PART DESCRIPTION
	338-3299	1	Harness, Start/Stop Switch	4	323-1216	1	Housing, Receptacle
1	321-0254	1	Fuse, 20A	5	332-3143	1	Receptacle, Lock
2	321-0084	1	Holder, Fuse	6	308-1019	1	Body, Connector
3	323-1585	1	Body, Connector				

Labels, Gasket Kit

REF NO.	PART NO.	QTY USED	PART DESCRIPTION	REF NO.	PART NO.	QTY USED	PART DESCRIPTION
98-7078-02		1	Label, Choke Lever	168-0214		1	Kit, Gasket (Includes Parts Marked *)
98-7081		1	Label, Fast/Slow	110-3586		1	*Seal, Valve Stem
			Label, Model Ident	110-3591		1	*Gasket, Cylinder Head
			E125	509-0324		1	*O'Ring
98-6770-01		1	87 x 13.5mm	509-0304		1	*O'Ring
98-6770-02		1	176 x 50mm	509-0253		1	*O'Ring
			E140	509-0258		2	*Seal, Oil
98-6771-01		1	87 x 13.5mm	155-2378		1	*Gasket, Exhaust Manifold
98-6771-02		1	176 x 50mm	509-0255		1	*Seal, Governor Shaft
98-7079		1	Label, Start (Code 35CY)	102-1441		1	*Gasket Set, Engine (Includes Parts Marked +)
98-7080		1	Label, Stop (Code 35CY)	146-0584-01		1	+*Gasket, Intake Elbow
98-7272		1	Label, Warning (Fuel Tank)	110-3833		1	+*Gasket, Gearcase
				140-2771		1	+*Gasket, Air Cleaner Mounting
				110-3830-01		1	+*Gasket, Valve Cover
				146-0600		1	+*Gasket, Insulator
				146-0599		1	+*Gasket, Insulator

* - Parts Included in Gasket Kit.

+ - Parts Included in Engine Gasket Set.

Sales Option Code Table

SPEC NO.	<u>11187</u>	<u>11264</u>	<u>11267</u>	<u>11307</u>	<u>11317</u>	<u>11347</u>	<u>11348</u>	<u>11368</u>	<u>11377</u>	<u>11412</u>	<u>11427</u>	<u>11441</u>
	11AU	11AU	11AU	11AU	11AU				11AU	11AU	11AU	11AU
	11BN	11BL	11BL	11BL	11BN	See	See	See	11BL	11BL	11BM	11BM
	13BJ	13BK	13BK	13BN	13BJ	Parts	Parts	Parts	13BN	13BN	13BJ	13BK
	13BN	13BN	13BN	13BY	13BN	Book	Book	Book	13BY	13BY	13BN	13BR
	13BZ	13BY	13BY	13DF	13BZ	for	for	for	13DF	13DF	13BY	13BY
	15BE	15BE	15BE	15BE	15BE	EGH	EGH	EGH	15BE	15BE	15BE	15BE
	15CP	15BJ	15BJ	15CP	15CP				15CP	15CP	15BJ	15BJ
	15CV	15CP	15CP	15CZ	15CV				15CZ	15DA	15CP	15CP
SALES OPTION CODE NUMBERS	17CF	17CF	17CF	15DA	17CF				15DA	17CF	17CF	17CF
	17DP	17DP	17DP	17CF	17DP				17CF	17DP	17DP	17DP
	19AS	19AS	19AS	17DP	19AS				17DP	19AS	19AS	19AS
	23DC	23DC	23DC	19AS	23DC				19AS	21CH	23DC	23DC
	23EG	23DJ	23EG	21CH	23EG				21CH	23DC	23EG	23EG
	31AY	23EG	31AY	23DC	31AY				23DC	23DJ	31AY	31AY
	31AZ	31AY	31AZ	23DJ	31AZ				23DJ	23DN	31AZ	31AZ
	33AT	31BD	33AT	23EG	33AT				23EG	23EG	33AT	33AT
	35AU	33AY	33BD	31AY	35AU				31AY	31AY	33BD	33BD
	35CS	45BW	35BH	31AZ	35CS				31AZ	31AZ	35AU	35AU
	45EG	45EG	45BW	33AT	45EF				33AT	33AT	35BH	35BH
	47AR	47AR	45EG	33AY	47AR				33AY	35CY	45BW	45EG
	47BM	47BJ	47AR	35AU	47BM				35CY	45EG	45EG	47AR
			47BJ	35BZ					45BW	47AR	47AR	47BJ
				35CY					45EG	47BJ	47BJ	
				47AR					47AR			
				47BJ					47BJ			

SALES OPTION CODE DEFINITIONS

LISTED BELOW ARE SALES OPTION CODE NUMBERS USED ON THE ELITE 125H/140H

ENGINE

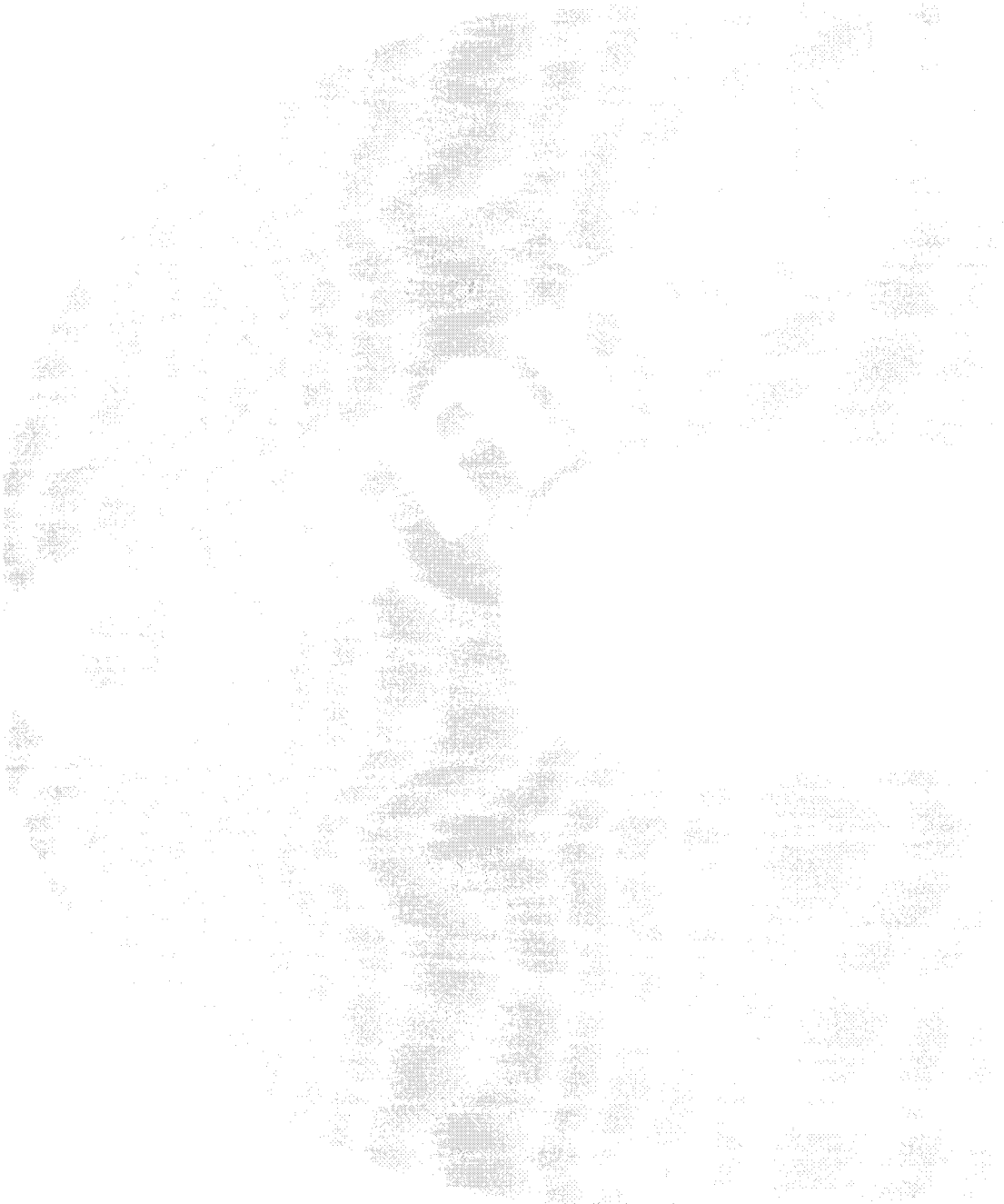
11AU	Standard Block	23DJ	No Rotating Screen
11BL	Gearcase, Machined	23DN	Stationary Guard (No PTO-Plastic) - Onan Logo
11BM	Gearcase Mach	23EG	Blower Wheel, Blower
11BN	Gearcase Cub Cadet	31AY	Electronic Ignition
11BP	Gearcase, Generator w/o Pump	31AZ	Alternator - 12V/20A
13BJ	Manifold, Intake	31BD	No Alternator
13BK	Front Pull Governor	33AT	Starter Solenoid Shift (Side) Standard
13BN	3600 High Idle	33AY	Starter, Recoil
13BR	3200 RPM, High Idle	33BD	Delete Recoil Starter
13BY	1400 Low Idle	35AU	Low Oil Pressure Switch (1 Terminal/Normally Closed)
13BZ	1500 RPM-Low Idle	35BH	4 Pin Harness
13DF	Governor, Engine Mounted Control	35BZ	6 Pin Harness
15BE	Carburetor, Side Draft	35CS	Harness, 5 Pin Connector
15BJ	Front Pull Choke	35CY	Rocker Switch, Stop/Run/Start
15CP	Fuel Pump - Filter	35CZ	Lead, LOPCO
15CV	Choke, Side Pull	45BW	Add Crankshaft Key
15CZ	Fuel Tank, 6.5Qt	45EF	Crankshaft 1.00 Dia 3.05/2.28 (Cub)
15DA	Choke, Manual Lever	45EG	Crankshaft 1.00 Dia St Shaft
17CF	Oil Fill Tube & Indicator - Outer Extension	47AR	Finishing List
17DP	Oil Filter (2.9" Length)	47BJ	Label, Elite 125H
19AS	Air Cleaner - Standard Capacity	47BM	Label, Elite Cub Cadet
21CH	Muffler, Rear Outlet		
23DC	Press Cooled Housing and Wheel		

Numerical Index

<u>Part No.</u>	<u>Page</u>	<u>Part No.</u>	<u>Page</u>	<u>Part No.</u>	<u>Page</u>	<u>Part No.</u>	<u>Page</u>
098-6770-01, 27		105-0649-05, 7		114-0357, 8		145-0697, 14, 16	
098-6770-02, 27		105-0649-06, 7		114-0357-01, 8		145-0722-02, 14	
098-6771-01, 27		105-0712, 7		114-0357-02, 8		146-0532, 18	
098-6771-02, 27		105-0716, 7		115-0423, 12		146-0584-01, 18, 27	
098-7078-02, 27		105-0719, 7		115-0424, 12		146-0599, 18, 27	
098-7079, 27		110-3578, 12		115-0426, 12		146-0600, 18, 27	
098-7080, 27		110-3579, 12		115-0427, 12		146-0701, 18	
098-7081, 27		110-3580, 12		115-0428, 12		146-0704, 18	
098-7272, 27		110-3584, 12		115-0429, 12		146-0757, 18	
102-1441, 27		110-3586, 12, 27		115-0473, 12		149-2356, 19	
103-0825-01, 13		110-3587, 12		120-0140, 13		149-2387, 19	
103-0825-03, 13		110-3591, 12, 27		120-1295, 13		150-2272, 13	
103-0825-07, 13		110-3593, 12		120-1298, 13		150-2303, 7	
103-0826, 13		110-3594, 12		120-1299-02, 13		150-2304, 7	
104-1718, 6		110-3595, 12		120-1313, 13		150-2394, 14	
104-1721-01, 6		110-3596, 12		122-0475, 13		150-2529, 14, 16	
104-1721-02, 6		110-3615, 5, 12		122-0737, 13		150-2530, 13	
104-1721-03, 6		110-3693, 12		123-1970, 23		150-2534-02, 14, 16	
104-1721-05, 6		110-3694, 12		123-1972-01, 23		150-2542, 14, 16	
104-1721-07, 6		110-3822, 12		123-2014, 12		150-2547, 13	
104-1721-08, 6		110-3825, 12		123-2030, 12		150-2572, 7	
104-1809-01, 6		110-3826, 12		123-2031, 18		150-2573, 7	
104-1809-02, 6		110-3827, 12		134-4738, 22		152-0332, 14, 16	
104-1809-03, 6		110-3830-01, 12, 27		134-4773, 10		152-0335-03, 14	
104-1809-04, 6		110-3833, 13, 27		134-5006-02, 10		152-0343, 14, 16	
104-1809-05, 6		110-3863-01, 12		134-5024-03, 22		152-0344-03, 16	
104-1809-06, 6		110-3863-04, 12		134-5024-04, 22		152-0345-03, 16	
104-1809-07, 6		110-3898-01, 12		134-5024-08, 22		152-0346-03, 16	
104-1816-03, 6		110-3911, 12		134-5059, 23		152-0361-03, 14	
104-1816-04, 6		110-3912, 12		134-5067-01, 10		153-0633-01, 16	
104-1855, 6		112-0244, 8		134-5067-03, 10		153-0657-03, 14	
104-1856, 6		112-0245, 8		140-2536-05, 18		153-0663-03, 16	
104-1903, 6		112-0276, 8		140-2672, 18		154-2871, 18	
104-1925-01, 6		112-0276-01, 8		140-2674-01, 18		154-2942-02, 24	
104-1925-02, 6		112-0276-02, 8		140-2748, 18		155-2378, 24, 27	
104-1925-04, 6		113-0330, 8		140-2749, 18		155-2910-02, 24	
105-0649-01, 7		113-0330-01, 8		140-2765-02, 18		155-2917, 24	
105-0649-02, 7		113-0330-02, 8		140-2771, 18, 27		159-1303, 25	
105-0649-03, 7		114-0355, 8		140-2999, 18		159-1351-02, 25	
105-0649-04, 7		114-0356, 8		145-0694, 18		159-1352-02, 25	

Numerical Index

<u>Part No.</u>	<u>Page</u>	<u>Part No.</u>	<u>Page</u>	<u>Part No.</u>	<u>Page</u>	<u>Part No.</u>	<u>Page</u>
159-1354-02,	25	192-0441,	21	510-0043,	13	815-0793-02,	16
159-1462,	25	192-0442,	21	510-0160,	5, 13	815-0793-04,	14, 16
166-0832,	5	192-0443,	21	510-0162,	5	815-0793-07,	14, 16
166-0837,	5	308-1019,	26	510-0163,	5	815-0816-01,	18
167-0275,	12	308-1061,	22	515-0103,	6	815-0829-01,	13
168-0214,	27	309-0615,	13	515-0293,	6	815-0829-02,	13
185-2334,	20	321-0084,	26	515-0295,	10	815-0829-03,	13
185-2367,	20	321-0254,	26	516-2004,	12	815-0829-04,	18
185-2381,	20	323-1216,	22, 26	518-0515,	25	821-2031,	25
185-2656,	20	323-1585,	22, 26	518-0560,	13	821-2032,	25
185-2658,	20	323-1604,	22	518-0566,	12	821-2033,	22, 23
185-2659,	20	323-1721,	22	518-0576,	14, 16	821-2045,	21, 23
185-2660,	20	332-3143,	26	526-0115,	5, 18	823-0002-04,	22
185-2661,	20	338-3177,	22	526-0405,	10	823-0002-08,	14
185-2662,	20	338-3299,	26	526-0408,	18	823-0003-02,	10, 13
185-2663,	20	338-3323-01,	22	526-0421,	6	823-0003-05,	13
185-2664,	20	338-3323-02,	22	526-0424,	14	823-0003-07,	5
185-2706,	20	403-3632-02,	23	526-0426,	14	823-1003,	22
185-2718,	21	406-0747,	18	526-0442-02,	14	851-0042,	14, 16
185-2965,	20	406-0748,	18	526-2078,	13	853-0016,	5
185-3681,	21	406-0749,	18	718-1017,	10	865-0029,	18
185-6381,	20	406-0750,	18	718-1036,	24	870-0465,	20
185-6382,	20	406-0751,	18	718-1040,	5	870-0506,	14, 16
185-6383,	20	502-0153,	5	740-1004,	18	870-2060,	10
185-6384,	20	502-0313,	13	740-1006,	14, 16, 24		
185-6385,	20	502-1247,	25	740-1008,	12		
185-6386,	20	503-0731,	19, 25	750-1006,	5		
185-6387,	20	503-1418,	19, 25	775-0061,	10		
191-1456-04,	10	503-1442,	19	775-0069,	13		
191-1924,	5	504-0190,	19	775-0074,	5		
191-1967,	10	505-1426,	13	800-2063,	18		
191-2107,	5, 20	508-0335,	14	800-3026,	12		
191-2207,	22	508-1094,	18	815-0359,	16		
192-0433,	21	508-1104,	25	815-0384,	5		
192-0434,	21	509-0253,	13, 27	815-0389,	24		
192-0435,	21	509-0255,	14, 16, 27	815-0474,	22		
192-0437,	21	509-0258,	5, 13, 27	815-0527,	18		
192-0438,	21	509-0304,	23, 27	815-0638-01,	10		
192-0439,	21	509-0324,	23, 27	815-0753,	22		
192-0440,	21	509-0330,	12	815-0773,	21		



Onan

Onan Corporation
1400 73rd Avenue N.E.
Minneapolis, MN 55432
1-800-888-ONAN
612-574-5000 International Use
Telex: 275477
Fax: 612-574-8087

Onan is a registered trademark of Onan Corporation